
2 Parts and diagrams

- [For additional service and support](#)
- [Order parts, accessories, and supplies](#)
- [Assembly locations](#)
- [How to use the parts lists and diagrams](#)
- [Parts and diagrams: Document feeder and scanner whole units](#)
- [Parts and diagrams: Covers](#)
- [Parts and diagrams: Internal components](#)
- [Parts and diagrams: Accessories](#)
- [Alphabetical parts list](#)
- [Numerical parts list](#)

For additional service and support

HP service personnel, go to the Service Access Workbench (SAW) at <http://sawpro.glob.itcs.hp.com>.

Channel partners, go to HP Channel Services Network (CSN) at www.hp.com/partners/csn.

At these locations, find information on the following topics:

- Install and configure
- Printer specifications
- Up-to-date control panel message (CPMD) troubleshooting
- Solutions for printer issues and emerging issues
- Remove and replace part instructions and videos
- Service advisories
- Warranty and regulatory information

Channel partners, access training materials in the HP University and Partner Learning Center at <https://content.ext.hp.com/sites/LMS/HPU.page>.

To access HP PartSurfer information from any mobile device, go to <http://partsurfermobile.hp.com/> or scan the Quick Response (QR) code below.



Order parts, accessories, and supplies

Ordering

Order supplies and paper	www.hp.com/go/suresupply
Order genuine HP parts or accessories	www.hp.com/buy/parts
Order through service or support providers	Contact an HP-authorized service or support provider.
Order using the HP Embedded Web Server (EWS)	To access, in a supported web browser on your computer, enter the printer IP address or host name in the address/URL field. The EWS contains a link to the HP SureSupply website, which provides options for purchasing Original HP supplies.

Orderable parts

Not all of the parts shown in the diagrams in this chapter can be ordered. Refer to the table following the diagram or the parts lists at the end of this chapter to determine if a part is orderable.

Supplies and accessories

Item	Description	Cartridge number	Part number
Supplies			
HP 655A Black LaserJet Toner Cartridge (M652/M653)	Standard-capacity replacement black cartridge	655A	CF450A
HP 655A Cyan LaserJet Toner Cartridge (M652/M653)	Standard-capacity replacement cyan cartridge	655A	CF451A
HP 655A Yellow LaserJet Toner Cartridge (M652/M653)	Standard-capacity replacement yellow cartridge	655A	CF452A
HP 655A Magenta LaserJet Toner Cartridge (M652/M653)	Standard-capacity replacement magenta cartridge	655A	CF453A
HP 656X Black LaserJet Toner Cartridge (M652/M653)	High-capacity replacement black toner cartridge	656X	CF460X
HP 656X Cyan LaserJet Toner Cartridge (M652/M653)	High-capacity replacement cyan toner cartridge	656X	CF461X
HP 656X Yellow LaserJet Toner Cartridge (M652/M653)	High-capacity replacement yellow toner cartridge	656X	CF462X
HP 656X Magenta LaserJet Toner Cartridge (M652/M653)	High-capacity replacement magenta toner cartridge	656X	CF463X
HP 657X Black LaserJet Toner Cartridge (M681/M682)	High-capacity replacement black toner cartridge	657X	CF470X
HP 657X Cyan LaserJet Toner Cartridge (M681/M682)	High-capacity replacement cyan toner cartridge	657X	CF471X
HP 657X Yellow LaserJet Toner Cartridge (M681/M682)	High-capacity replacement yellow toner cartridge	657X	CF472X
HP 657X Magenta LaserJet Toner Cartridge (M681/M682)	High-capacity replacement magenta toner cartridge	657X	CF473X

Item	Description	Cartridge number	Part number
HP Staple Cartridge Refill	Replacement staple cartridges for the M681z and M682z models	Not applicable	J8J96A
Accessories			
HP Color LaserJet 550-sheet Paper Tray	Optional 550-sheet paper feeder NOTE: The printer supports up to two 1 x 550-sheet paper feeders unless other input devices are present.	Not applicable	P1B09A
HP Color LaserJet 550-sheet Paper Tray with Stand	Optional 550-sheet paper feeder with stand	Not applicable	P1B10A
HP Color LaserJet 3 x 550-sheet Paper Tray with Stand	Optional 3 x 550-sheet paper feeder with stand to support the printer	Not applicable	P1B11A
HP Color LaserJet High Capacity Paper Feeder with Stand	Optional 2,000-sheet paper feeder and 550-sheet paper feeder with stand to support the printer	Not applicable	P1B12A
HP LaserJet Keyboard Overlay Kit for Simplified Chinese & Traditional Chinese (Flow models only)	Language-specific, adhesive overlay for the physical keyboard	Not applicable	A7W12A
HP LaserJet Keyboard Overlay Kit for Swedish (Flow models only)	Language-specific, adhesive overlay for the physical keyboard	Not applicable	A7W14A
HP 1GB DDR3 x32 144-Pin 800MMHz SODIMM	Optional DIMM for expanding the memory	Not applicable	E5K48A
HP Trusted Platform Module	Automatically encrypts all data that passes through the printer	Not applicable	F5S62A
HP Foreign Interface Harness	Optional port for connecting third-party devices	Not applicable	B5L31A
HP LaserJet MFP Analog Fax Accessory 500	Optional fax accessory for the dh model	Not applicable	CC487A
HP Jetdirect 2900nw Print Server	USB wireless print server accessory	Not applicable	J8031A
HP Jetdirect 3000w NFC/Wireless Accessory	Wi-Fi direct accessory for "touch" printing from mobile devices	Not applicable	J8030A
HP Internal USB ports	Two internal USB ports for connecting third-party devices	Not applicable	B5L28A

Customer self-repair parts

Customer Self-Repair (CSR) parts are available for many HP LaserJet printers to reduce repair time. More information about the CSR program and benefits can be found at www.hp.com/go/csr-support and www.hp.com/go/csr-faq.

Genuine HP replacement parts can be ordered at www.hp.com/buy/parts or by contacting an HP-authorized service or support provider. When ordering, one of the following will be needed: part number, serial number (found on back of printer), product number, or printer name.

- Parts listed as **Mandatory** self-replacement are to be installed by customers, unless you are willing to pay HP service personnel to perform the repair. For these parts, on-site or return-to-depot support is not provided under the HP printer warranty.
- Parts listed as **Optional** self-replacement can be installed by HP service personnel at your request for no additional charge during the printer warranty period.

Item	Description	Self-replacement options	Part number
1x550 Sheet Feeder Kit	Replacement 1x550-sheet feeder	Mandatory	P1B09-67901
Secure Hard Disk Drive	Replacement hard disk drive	Mandatory	B5L29-67903
HP 1GB DDR3 x32 144-Pin 800MHz SODIMM	Replacement memory DIMM	Mandatory	E5K48-67902
Analog Fax Accessory 500 Kit	Replacement fax board	Mandatory	B5L53-67901
HP Trusted Platform Module kit	Replacement trusted platform module	Mandatory	B5L31-67902
HP Foreign Interface Harness kit	Replacement foreign interface harness	Mandatory	F5S62-61001
HP Jetdirect 2900nw Print Server	Replacement USB wireless print server accessory	Mandatory	J8031-61001
HP Jetdirect 3000w NFC/Wireless Accessory	Replacement Wireless Direct Print accessory for "touch" printing from mobile devices	Mandatory	J8030-61001
Scanner white backing	Replacement white plastic backing for the scanner	Mandatory	5851-7206
Control-panel kit	Replacement touchscreen control panel	Mandatory	5851-7210
Retention Clip Assembly	Replacement retention clips that are behind the scanner white backing	Mandatory	5851-7207
ADF Maintenance Kit	Maintenance kit for the document feeder	Mandatory	5851-7202
U.S. English Keyboard Kit	Replacement keyboard for Flow models	Mandatory	B5L47-67019
U.K. English Keyboard Kit	Replacement keyboard for Flow models	Mandatory	B5L47-67020
Keyboard Overlay Kit French, Italian, Russian, German, U.K. Spanish	Replacement keyboard overlay for Flow models	Mandatory	5851-6019
Keyboard Overlay Kit Canadian French, Latin American Spanish, U.S. Spanish	Replacement keyboard overlay for Flow models	Mandatory	5851-6020
Keyboard Overlay Kit Swiss French, Swiss German, Danish	Replacement keyboard overlay for Flow models	Mandatory	5851-6021
Keyboard Overlay Kit Simplified Chinese, Traditional Chinese	Replacement keyboard overlay for Flow models	Mandatory	5851-6022

Item	Description	Self-replacement options	Part number
Keyboard Overlay Kit Spanish, Portuguese	Replacement keyboard overlay for Flow models	Mandatory	5851-6023
Keyboard Overlay Kit Japanese (KG and KT)	Replacement keyboard overlay for Flow models	Mandatory	5851-6024

Related documentation and software

HP service personnel, go to the Services Access Workbench (SAW) at <http://sawpro.glb.itcs.hp.com>.

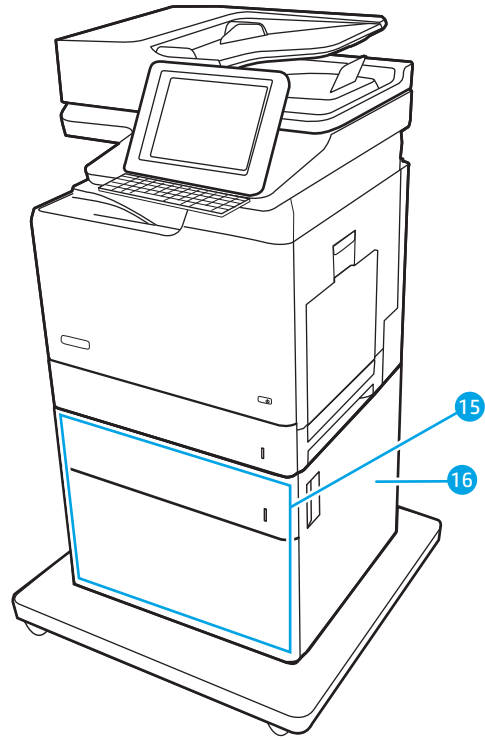
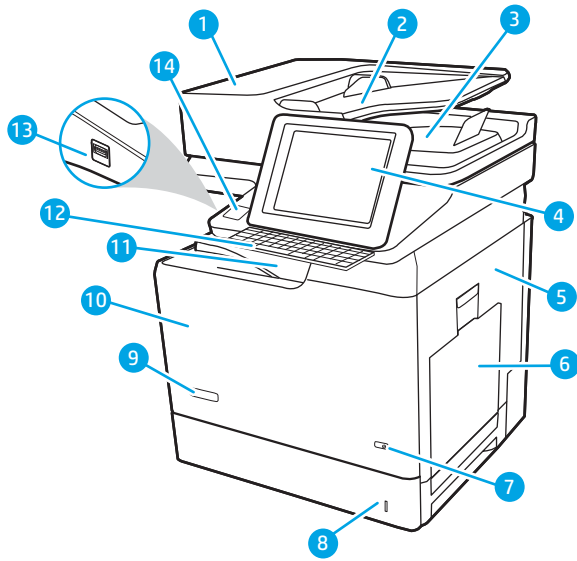
Channel partners, go to HP Channel Services Network (CSN) at www.hp.com/partners/csn.

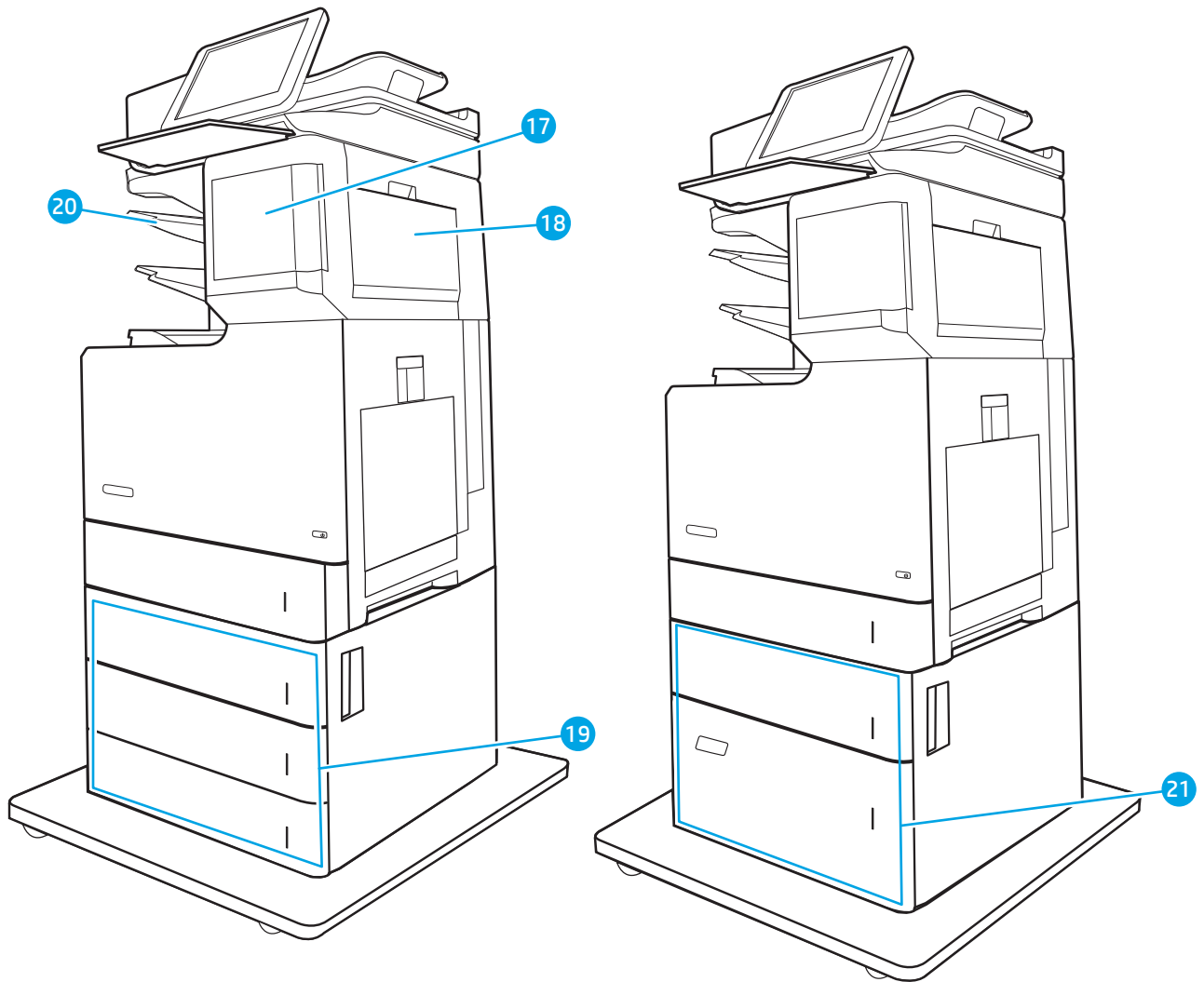
Channel partners, access training materials in the HP University and Partner Learning Center at <https://content.ext.hp.com/sites/LMS/HPU.page>.

Assembly locations

- [Product front view \(M681 and M682 models\)](#)
- [Product back view \(M681 and M682 models\)](#)
- [Product front view \(M652 and M653 models\)](#)
- [Product back view \(M652 and M653 models\)](#)

Product front view (M681 and M682 models)



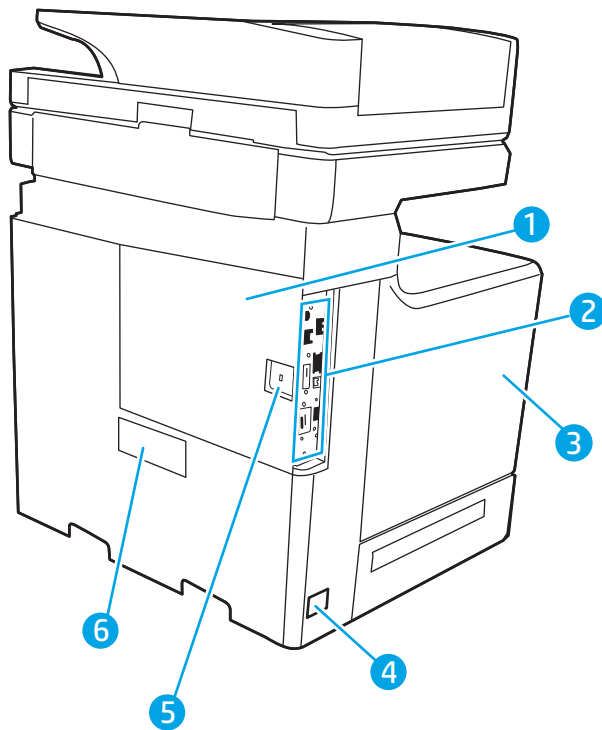


- | | |
|--|---|
| 1 | Document-feeder cover (access for clearing jams) |
| 2 | Document-feeder input tray |
| 3 | Document-feeder output bin |
| NOTE: When feeding long paper through the document feeder, extend the paper stop at the right side of the output bin. | |
| 4 | Control panel with color touchscreen display (tilts up for easier viewing) |
| 5 | Right door (access to the fuser and for clearing jams) |
| 6 | Tray 1 |
| 7 | On/off button |
| 8 | Tray 2 |
| 9 | Model name |
| 10 | Front door (access to the toner cartridges) |
| 11 | Standard output bin |
| 12 | Physical keyboard (Flow models only). Pull the keyboard straight out to use it. |

CAUTION: Close the keyboard when it is not in use.

13	Easy-access USB port (on the side of the control panel) Insert a USB flash drive for printing or scanning without a computer or to update the printer firmware. NOTE: An administrator must enable this port before use.
14	Hardware integration pocket (for connecting accessory and third-party devices)
15	1x550-sheet paper feeder with stand
16	Lower-right door (access for clearing jams)
17	Stapler-cartridge door (z models only)
18	Stapler/stacker-right door (z models only) (access for clearing jams)
19	3x550-sheet paper feeder with stand
20	2-bin stapler/stacker
21	High-capacity paper feeder and 550-sheet paper feeder with stand

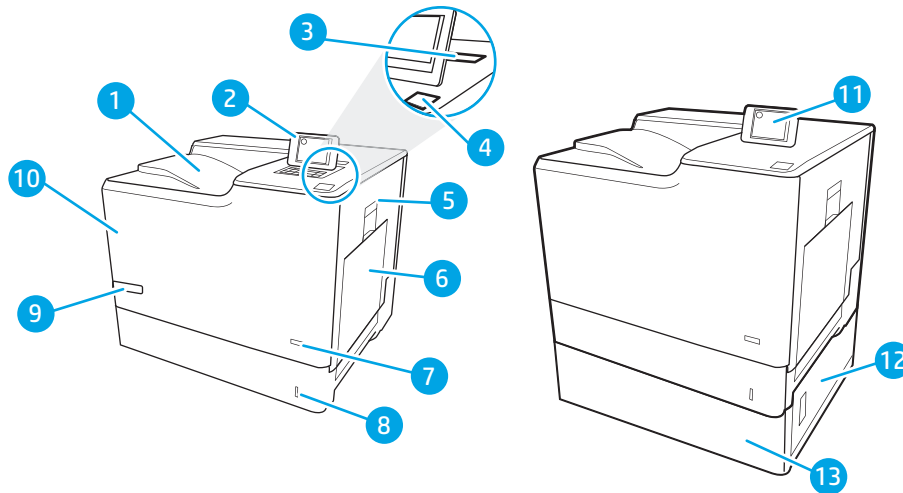
Product back view (M681 and M682 models)



1	Formatter cover
2	Formatter (contains the interface ports)
3	Left door (access to the toner-collection unit)
4	Power connection

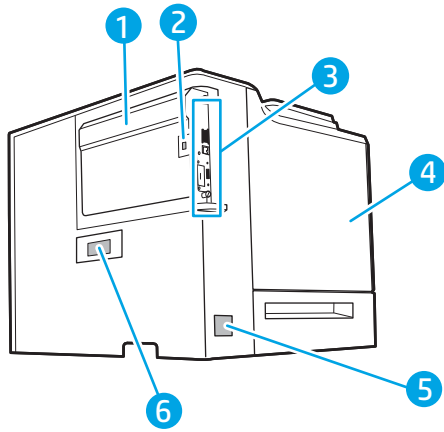
5	Slot for a cable-type security lock
6	Serial number and product number label

Product front view (M652 and M653 models)



1	Output bin
2	Control panel with color graphical display and keypad (M652 models only)
3	Hardware integration pocket for connecting accessory and third-party devices
4	Easy-access USB port Insert a USB flash drive for printing without a computer or to update the printer firmware. NOTE: An administrator must enable this port before use.
5	Right door (access to the fuser and for clearing jams)
6	Tray 1
7	On/off button
8	Tray 2
9	Model name
10	Front door (access to the toner cartridges)
11	Control panel with color touchscreen display (M653 models only)
12	Lower-right door (access for clearing jams)
13	1 x 550-sheet paper feeder, Tray 3 (included with the M653x model, optional for the other models)


Product back view (M652 and M653 models)




1	Formatter cover
2	Slot for a cable-type security lock
3	Formatter (contains the interface ports)
4	Left door (access to the toner-collection unit)
5	Power connection
6	Serial number and product number label

How to use the parts lists and diagrams

The figures in this chapter show the major subassemblies in the product and their component parts. A parts list table follows each exploded view assembly diagram. Each table lists the item number, the associated part number, and the description of each part. If a part is not listed in the table, then it is not a field replacement unit (FRU).

 **CAUTION:** Be sure to order the correct part. When looking for part numbers for electrical components, pay careful attention to the voltage that is listed in the description column. Doing so will ensure that the part number selected is for the correct model.

 **NOTE:** In this manual, the abbreviation “PCA” stands for “printed circuit-board assembly.” Components described as a PCA might consist of a single circuit board or a circuit board plus other parts, such as cables and sensors.

Parts and diagrams: Document feeder and scanner whole units

Figure 2-1 Document feeder and scanner whole units (M681 and M682 models only)

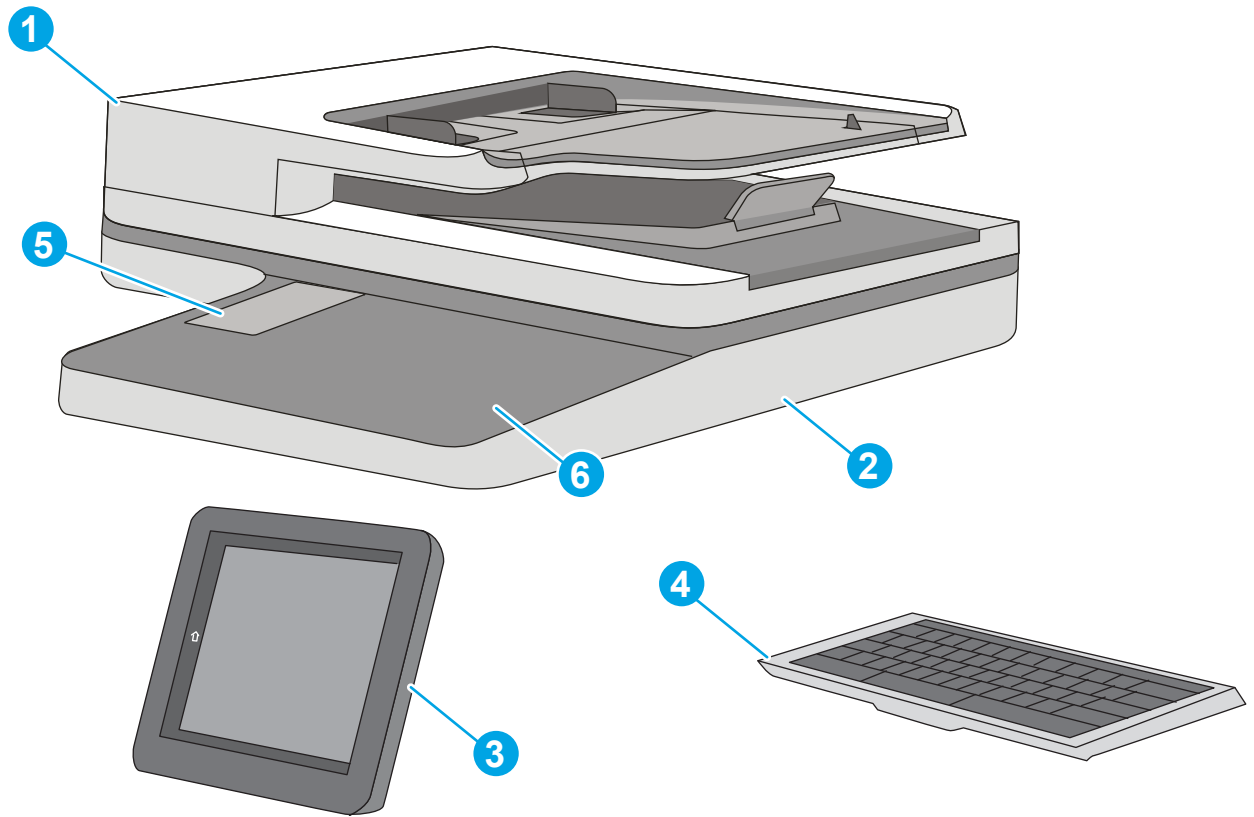


Table 2-1 Document feeder and scanner whole units (M681 and M682 only)

Ref	Description	Part number	Qty
1	Document feeder (non-Flow models) kit; includes white backing and retention clips	5851-7203	1
1	Document feeder (Flow models) kit; includes white backing and retention clips	5851-7204	1
2	Image scanner kit; includes white backing and retention clips, keyboard cover, and rear cover	J8A10-67901	1
3	Control panel kit, M681 and M682	B5L47-67018	1
4	Keyboard US (Flow models)	B5L47-67019	1
4	Keyboard UK (Flow models)	B5L47-67020	1
5	Cover, HIP	B5L46-40021	1
6	Cover, control panel	J8J63-60137	1
Not shown	Scan control board (non-Flow models)	J8J63-60109	1
Not shown	Scan control board (Flow models)	J8A08-60103	1
Not shown	White backing retention clip kit	5851-7207	1
Not shown	Cover, USB	RC4-9423-000	1
Not shown	ADF hinge kit	5851-7205	1
Not shown	LaserJet ADF roller kit	5851-7202	1
Not shown	LaserJet ADF white backing, A4, kit	5851-7202	1
Not shown	Cable, HDMI	J8A10-60113	1
Not shown	Cable, WU USB control panel	J8A10-60111	1
Not shown	Cable, HIP control panel	J8A10-60114	1
Not shown	Cable, sideband control panel	J8A10-60112	1
Not shown	Cable, SCB-formatter power	J8A10-60110	1
Not shown	Cable, SCB-formatter HDMI	J8A10-60110	1
Not shown	Keyboard overlay kit (FR, IT, RU, DE, ES: UK Kybd)	5851-6019	1
Not shown	Keyboard overlay kit (FR-CN, ES-LA, ES: US Kybd)	5851-6020	1
Not shown	Keyboard overlay kit (FR-SW, DE-SW, DA: UK Kybd)	5851-6021	1
Not shown	Keyboard overlay kit (ZHTW, ZHCN)	5851-6022	1
Not shown	Keyboard overlay kit (ES, PT)	5851-6023	1
Not shown	Keyboard overlay kit (JA-KG, JA-KT)	5851-6024	1

Parts and diagrams: Covers

Covers (M652 and M653)

Figure 2-2 Covers (M652 and M653)

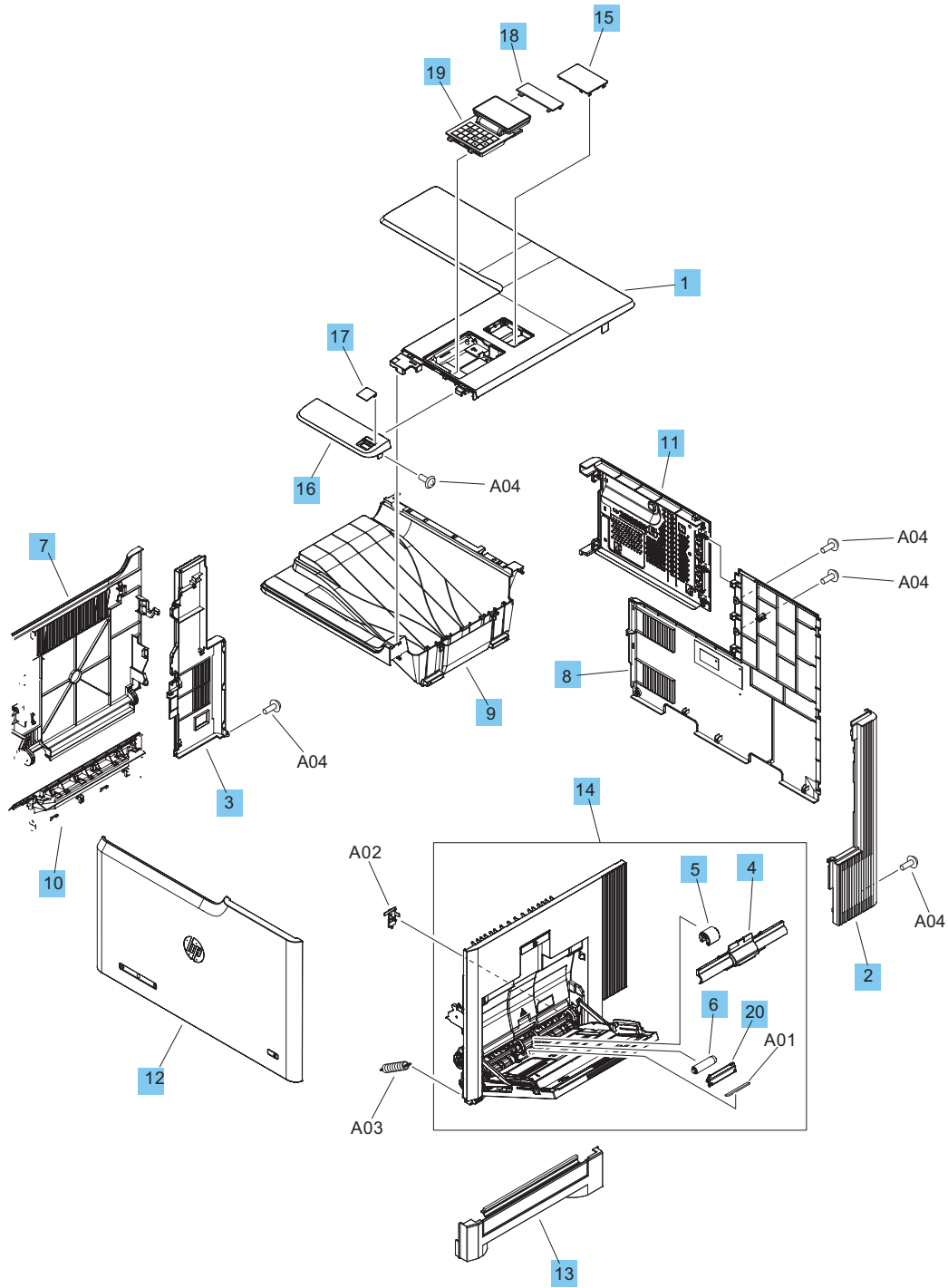


Table 2-2 Covers (M652 and M653)

Ref	Description	Part number	Qty
1	Cover, top	RC4-6429-000CN	1
2	Cover, right rear	RC4-6425-000CN	1
3	Cover, left rear	RC4-6858-000CN	1
4	Cover, Tray 1 roller	RC4-7318-000CN	1
5	Roller, pickup, Tray 1	RL2-0034-000CN	1
6	Roller, separation, Tray 1	RL2-0079-000CN	1
7	Door, left	RL2-1500-000CN	1
8	Rear cover assembly	RM2-1951-000CN	1
9	Output bin assembly	RM2-1953-000CN	1
10	Left handle assembly	RM2-1958-000CN	1
11	Formatter cover assembly	RM2-6657-000CN	1
12	Front door assembly	RM2-6658-000CN	1
13	Right handle assembly	RM2-6659-000CN	1
14	Right door assembly	RM2-6622-000CN	1
15	Cover, HIP	RC4-0213-000CN	1
16	Cover, blanking	RC5-3356-000CN	1
17	Cover, USB	RC4-9423-000CN	1
18	Cover, control panel back	RC4-8239-000CN	1
19	Control panel assembly	RM2-6796-000CN	1
20	Guide, NIP	RC5-1892-000CN	1

Covers (M681 and M682)

Figure 2-3 Covers (M681 and M682)

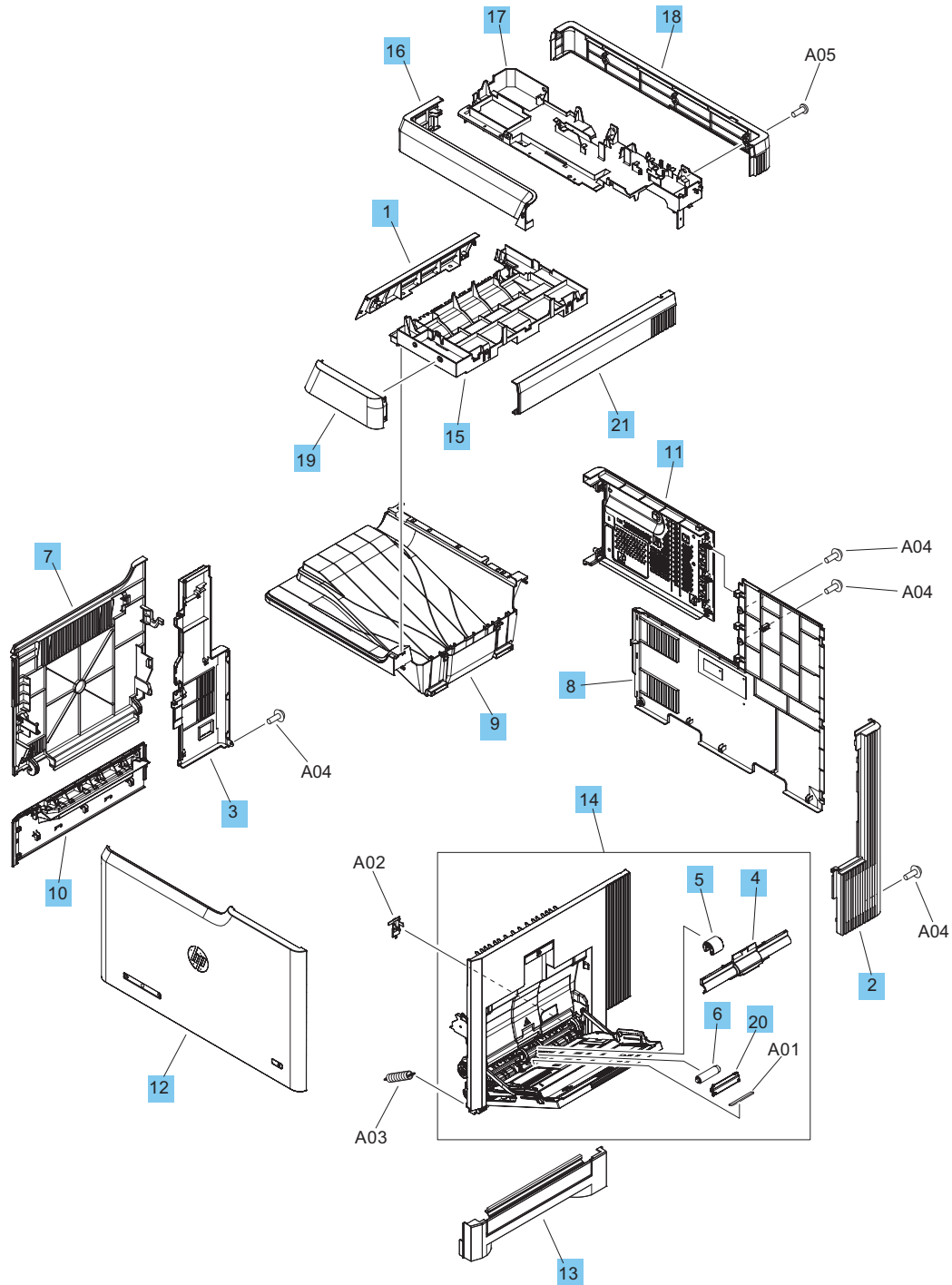


Table 2-3 Covers (M681 and M682)

Ref	Description	Part number	Qty
1	Cover, top	RC4-6865-000CN	1
2	Cover, right rear	RC4-6425-000CN	1
3	Cover, left rear	RC4-6858-000CN	1
4	Cover, Tray 1 roller	RC4-7318-000CN	1
5	Roller, pickup, Tray 1	RL2-0034-000CN	1
6	Roller, separation, Tray 1	RL2-0079-000CN	1
7	Door, left	RL2-1500-000CN	1
8	Rear cover assembly	RM2-1951-000CN	1
9	Output bin assembly	RM2-1953-000CN	1
10	Left handle assembly	RM2-1958-000CN	1
11	Formatter cover assembly	RM2-6657-000CN	1
12	Front door assembly	RM2-6658-000CN	1
13	Right handle assembly	RM2-6659-000CN	1
14	Right door assembly	RM2-6622-000CN	1
15	Cover, output bin	RC4-6859-000CN	1
16	Cover, front	RC4-6860-000CN	1
17	Cover, main	RC4-6861-000CN	1
18	Cover, rear	RC4-6862-000CN	1
19	Cover, output bin, front	RC5-1842-000CN	1
20	Guide, NIP	RC5-1892-000CN	1
21	Cover, right	RC5-1843-000CN	1

Parts and diagrams: Internal components

Internal components (1 of 6)

Figure 2-4 Internal components (1 of 6)

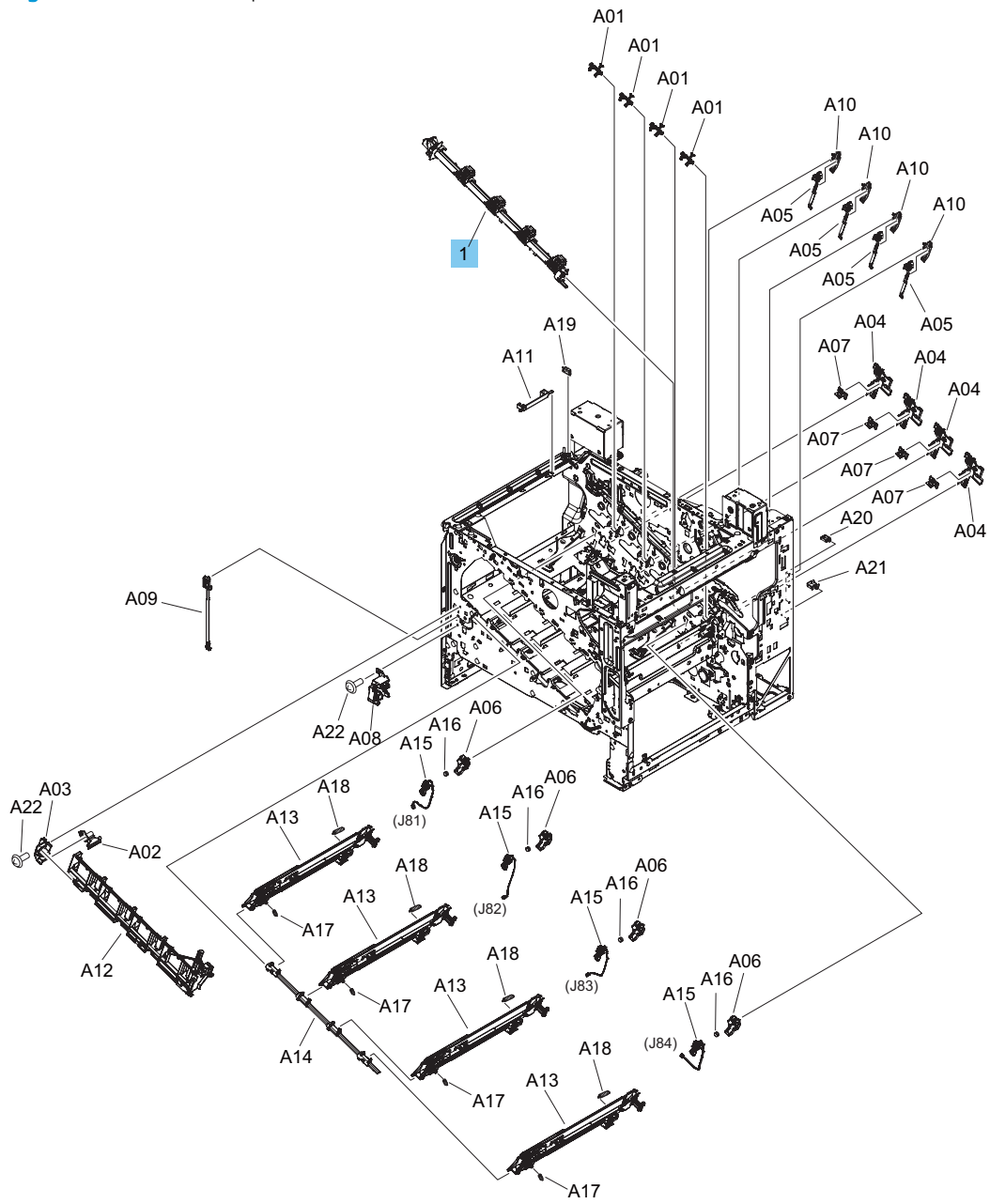


Table 2-4 Internal components (1 of 6)

Ref	Description	Part number	Qty
1	Toner carry assembly	RM2-6620-000CN	1

Internal components (2 of 6)

Figure 2-5 Internal components (2 of 5)

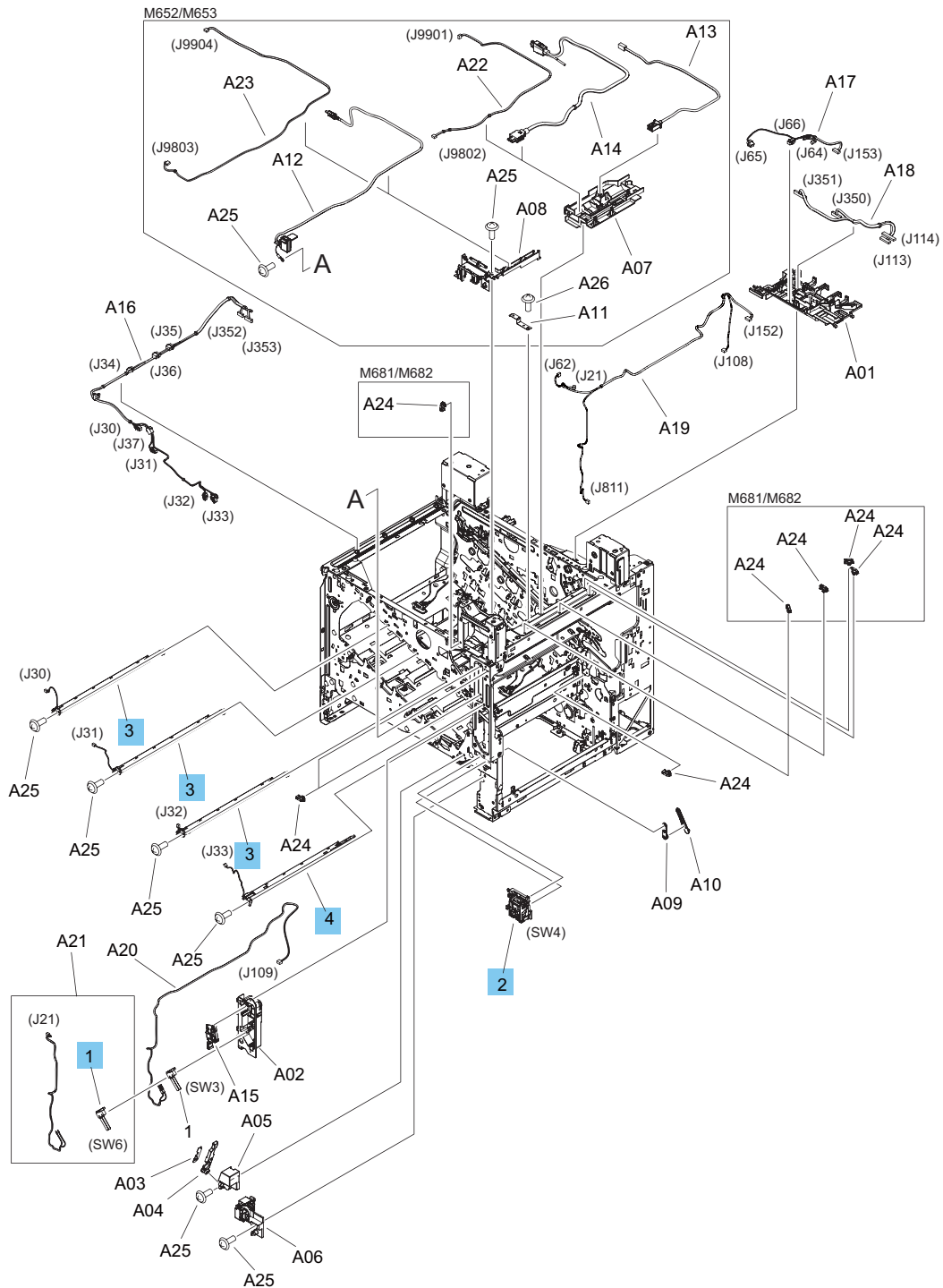


Table 2-5 Internal components (2 of 6)

Ref	Description	Part number	Qty
1	Microswitch	RM2-6545-000CN	2
2	Power supply switch assembly	RM2-1947-000CN	1
3	Pre-exposure PCA assembly	RM3-7046-000CN	3
4	Pre-exposure PCA assembly	RM3-7047-000CN	1

Internal components (3 of 6)

Figure 2-6 Internal components (3 of 6)

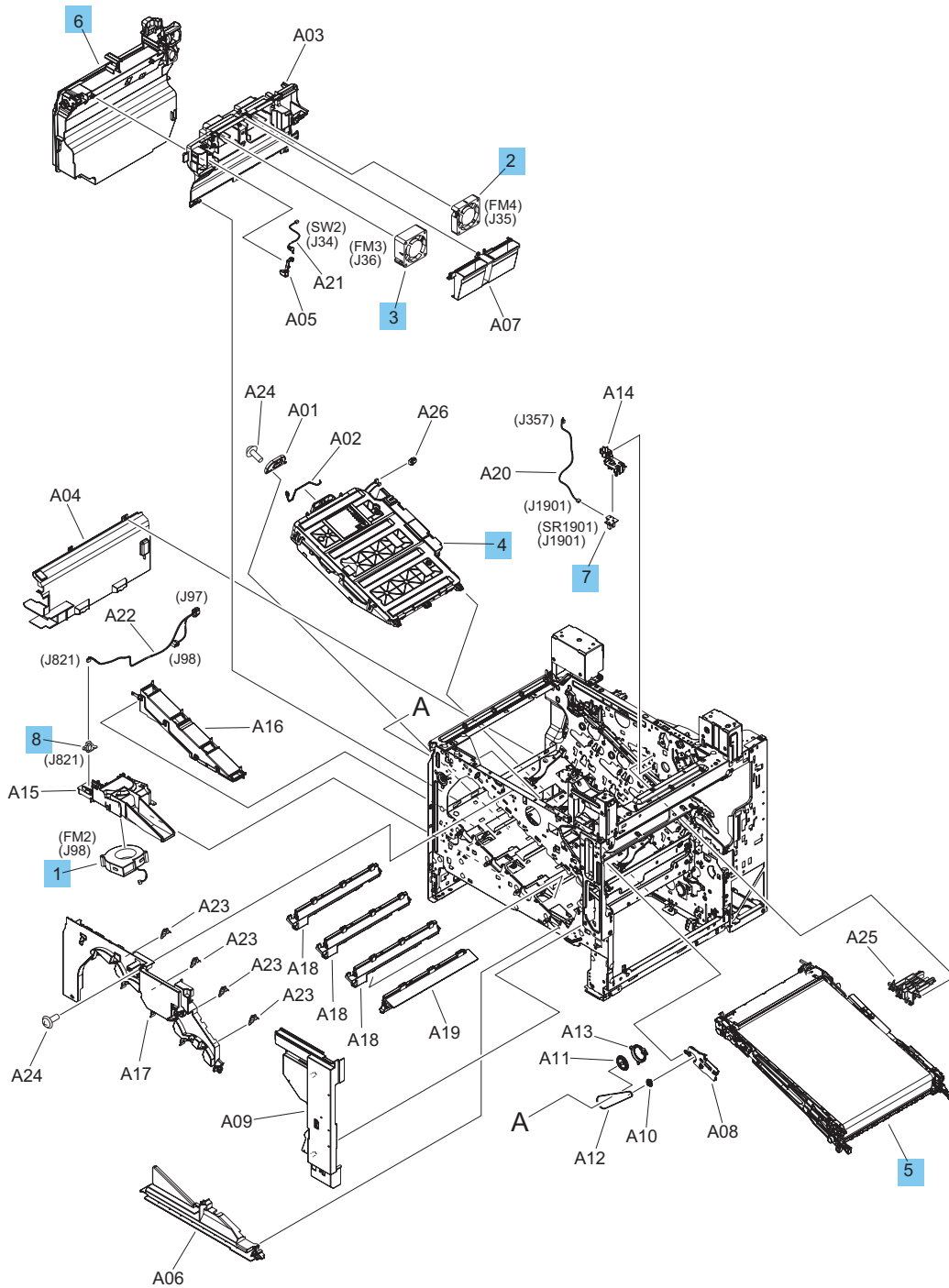


Table 2-6 Internal components (3 of 6)

Ref	Description	Part number	Qty
1	Fan	RK2-6124-000CN	1
2	Fan	RK2-7949-000CN	1
3	Fan	RK2-7951-000CN	1
4	Laser scanner assembly	RM2-1237-000CN	1
5	Image Transfer Belt (ITB) (part of LaserJet Image Transfer and Roller Kit)	P1B93-67901	1
6	Toner collection unit	RM2-6613-000CN	1
7	Estrangement detect PCA assembly	RM2-7157-000CN	1
8	Environmental sensor PCA assembly	RM2-8440-000CN	1

Internal components (4 of 6)

Figure 2-7 Internal components (4 of 6)

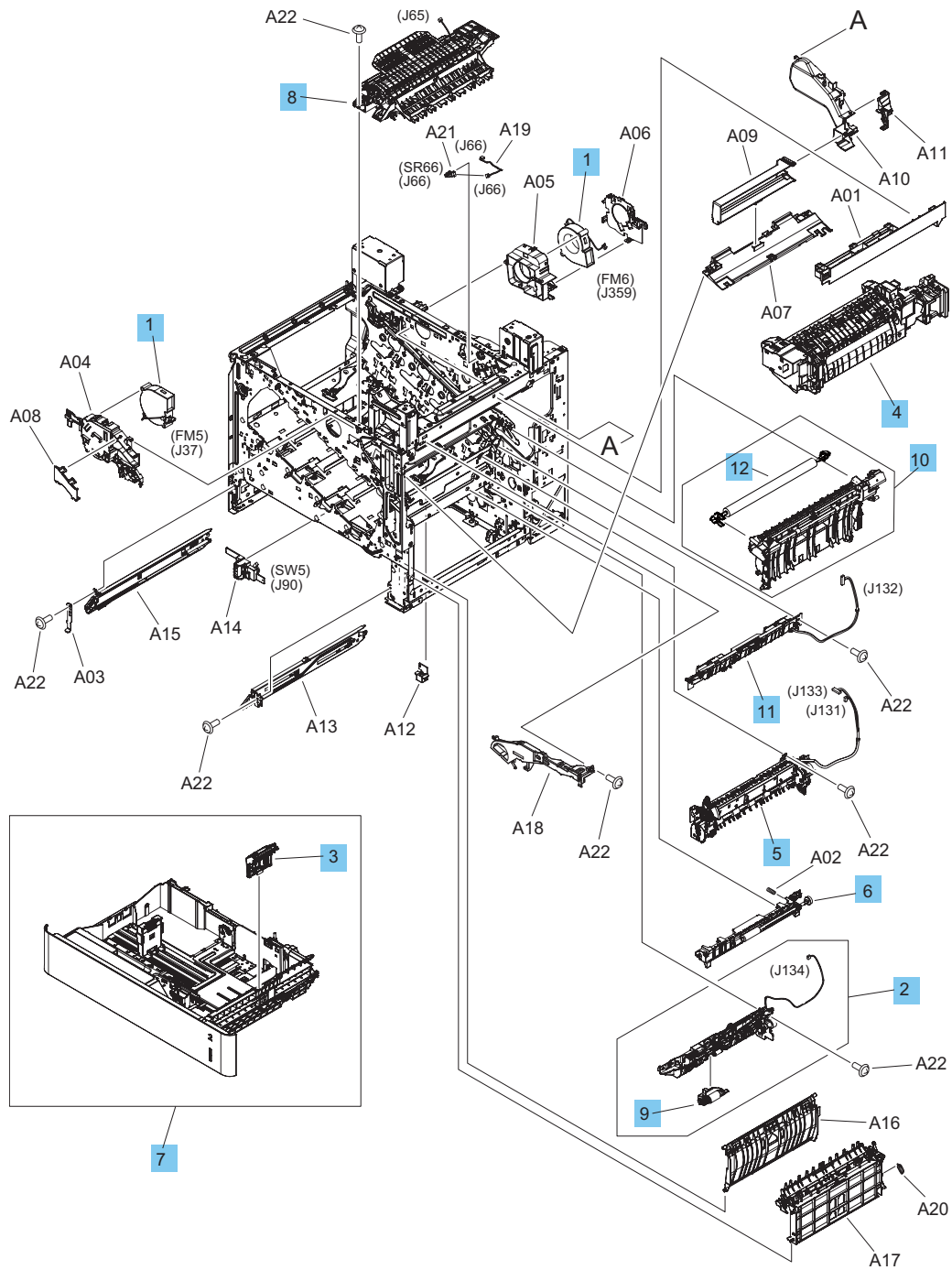


Table 2-7 Internal components (4 of 6)

Ref	Description	Part number	Qty
1	Fan	RK2-6124-000CN	2
2	Paper pick-up assembly	RM2-6556-000CN	1
3	Separation roller assembly	RM2-0064-000CN	1
4	Fuser assembly, 110-127V	RM2-1928-000CN	1
4	Fuser assembly, 220-240V	RM2-1929-000CN	1
5	Registration assembly	RM2-1957-000CN	1
6	Feed roller assembly	RM2-6684-000CN	1
7	Cassette assembly (Tray 2)	RM2-6618-000CN	1
8	Paper delivery assembly	RM2-6621-000CN	1
9	Paper pick-up roller assembly	RM2-6681-000CN	1
10	Secondary transfer assembly	RM2-6682-000CN	1
11	Density detect assembly	RM2-7160-000CN	1
12	Secondary transfer roller assembly (part of LaserJet Image Transfer and Roller Kit)	P1B93-67901	1

Internal components (5 of 6)

Figure 2-8 Internal components (5 of 6)

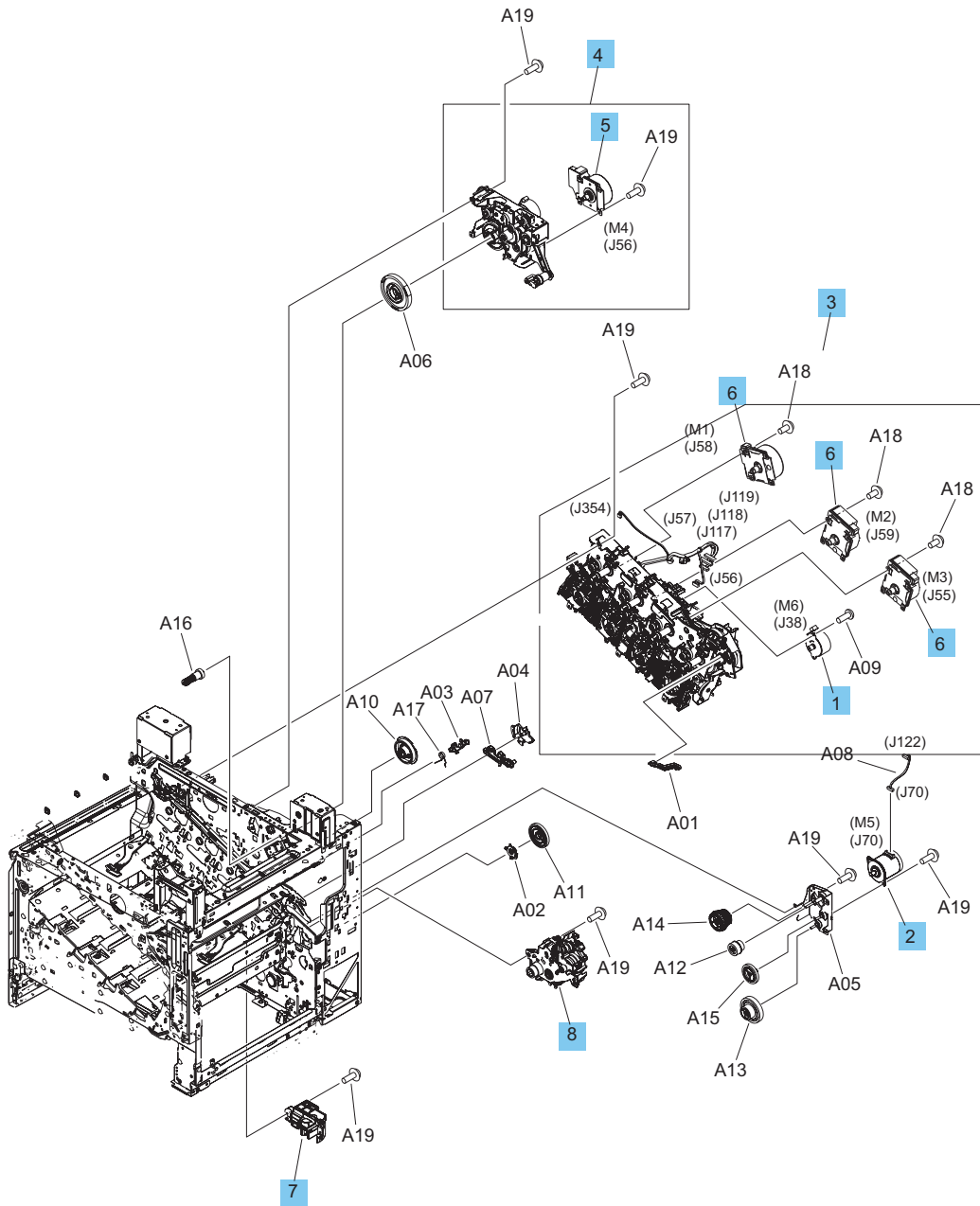


Table 2-8 Internal components (5 of 6)

Ref	Description	Part number	Qty
1	Motor, stepping	CN	1
2	Motor, stepping	CN	1
3	Main drive assembly	CN	1
4	Fuser drive assembly	CN	1
5	Fuser motor drive assembly	CN	1
6	Drum motor assembly	CN	3
7	Auto close assembly	CN	3
8	Lifter drive assembly	CN	1

Internal components (6 of 6)

Figure 2-9 Internal components (6 of 6)

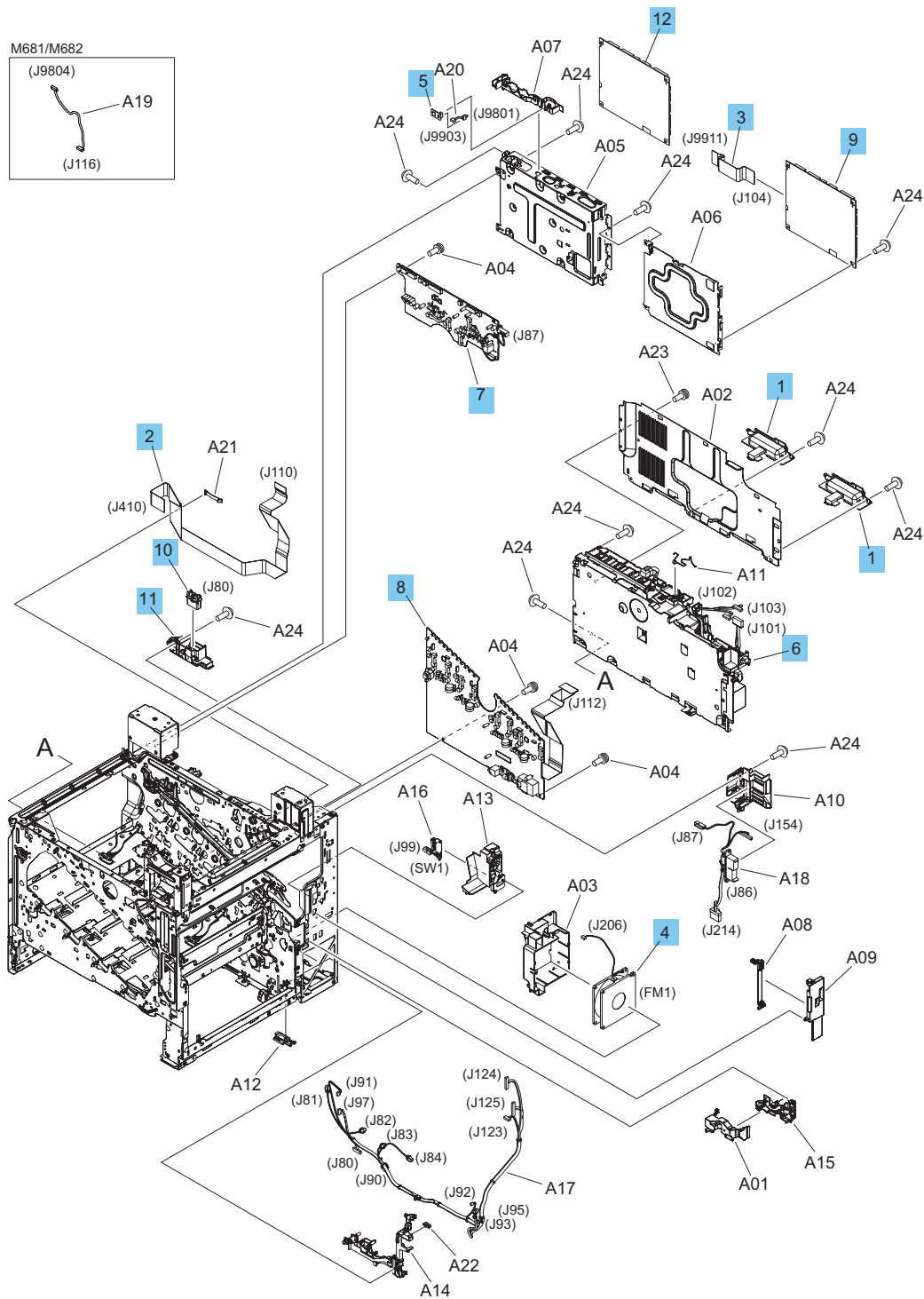


Table 2-9 Internal components (6 of 6)

Ref	Description	Part number	Qty
1	Handle, rear	RC4-9410-000CN	2
2	Cable, flexible flat	RK2-7768-000CN	1
3	Cable, flexible flat	RK2-7776-000CN	1
4	Fan	RK2-7953-000CN	1
5	Memory PCA	RM2-7138-000CN	1
6	Power supply PCA, 110-127V	RM2-8421-000CN	1
6	Power supply PCA, 220-240V	RM2-8422-000CN	1
7	Upper high voltage power supply PCA	RM2-8424-000CN	3
8	Lower high voltage power supply PCA	RM3-7006-000CN	1
9	DC controller PCA, M652-M653	RM3-7030-000CN	1
9	DC controller PCA, M681-M682	RM3-7031-000CN	1
10	Connector	VS1-7258-012CN	1
11	Holder, drawer connector	RC4-6497-000CN	1
12	Formatter kit (M652/M653)	J7Z98-60001	1
12	Formatter kit (M652/M653; India/China)	J7Z98-67904	1
12	Formatter kit (M681/M682)	J8A10-60001	1
12	Formatter kit (M681/M682; India/China)	J8A10-67902	1

Parts and diagrams: Accessories

Parts and diagrams: Input devices

Parts and diagrams: 550-sheet paper feeder

550-sheet paper feeder covers

Figure 2-10 550-sheet paper feeder covers

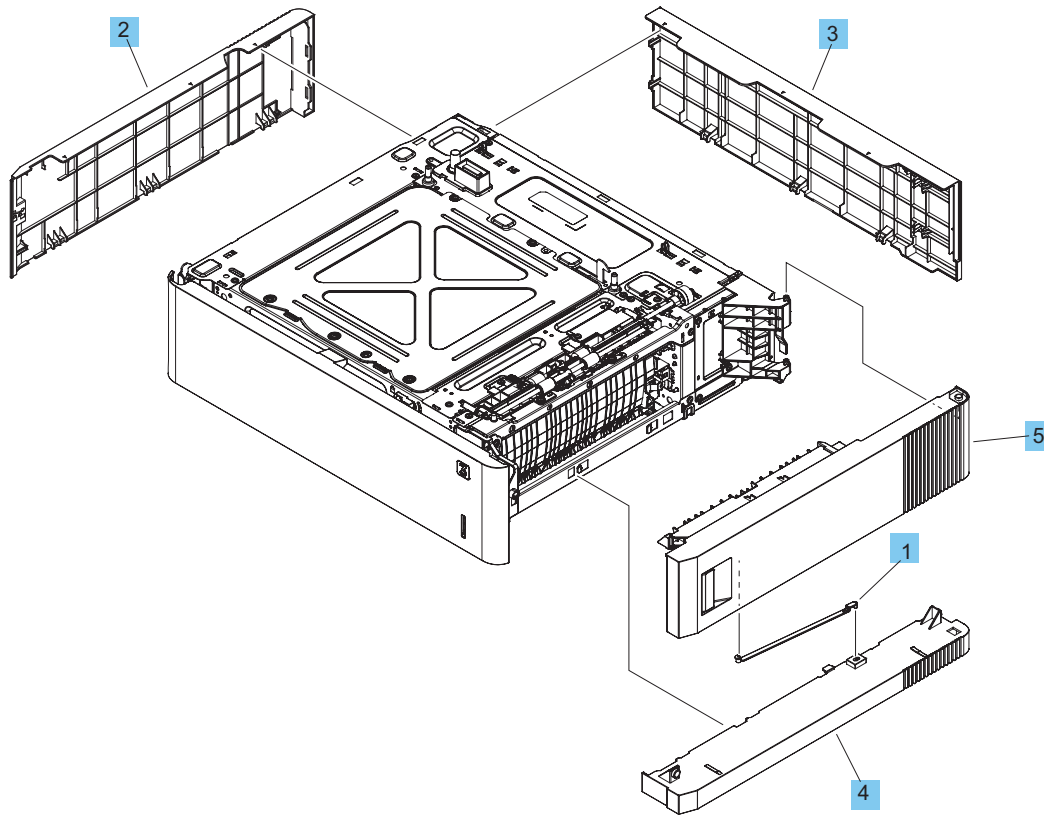


Table 2-10 550-sheet paper feeder covers

Ref	Description	Part number	Qty
1	Link, door, right (550-sheet feeder)	RC4-1778-000CN	1
2	Cover, left (550-sheet feeder)	RC4-7682-000CN	1
3	Cover, rear (550-sheet feeder)	RC4-7683-000CN	1
4	Cover, right lower (550-sheet feeder)	RC4-7684-000CN	1
5	Door assembly, right (550-sheet feeder)	RM2-6937-000CN	1

550-sheet paper feeder main body

Figure 2-11 550-sheet paper feeder main body

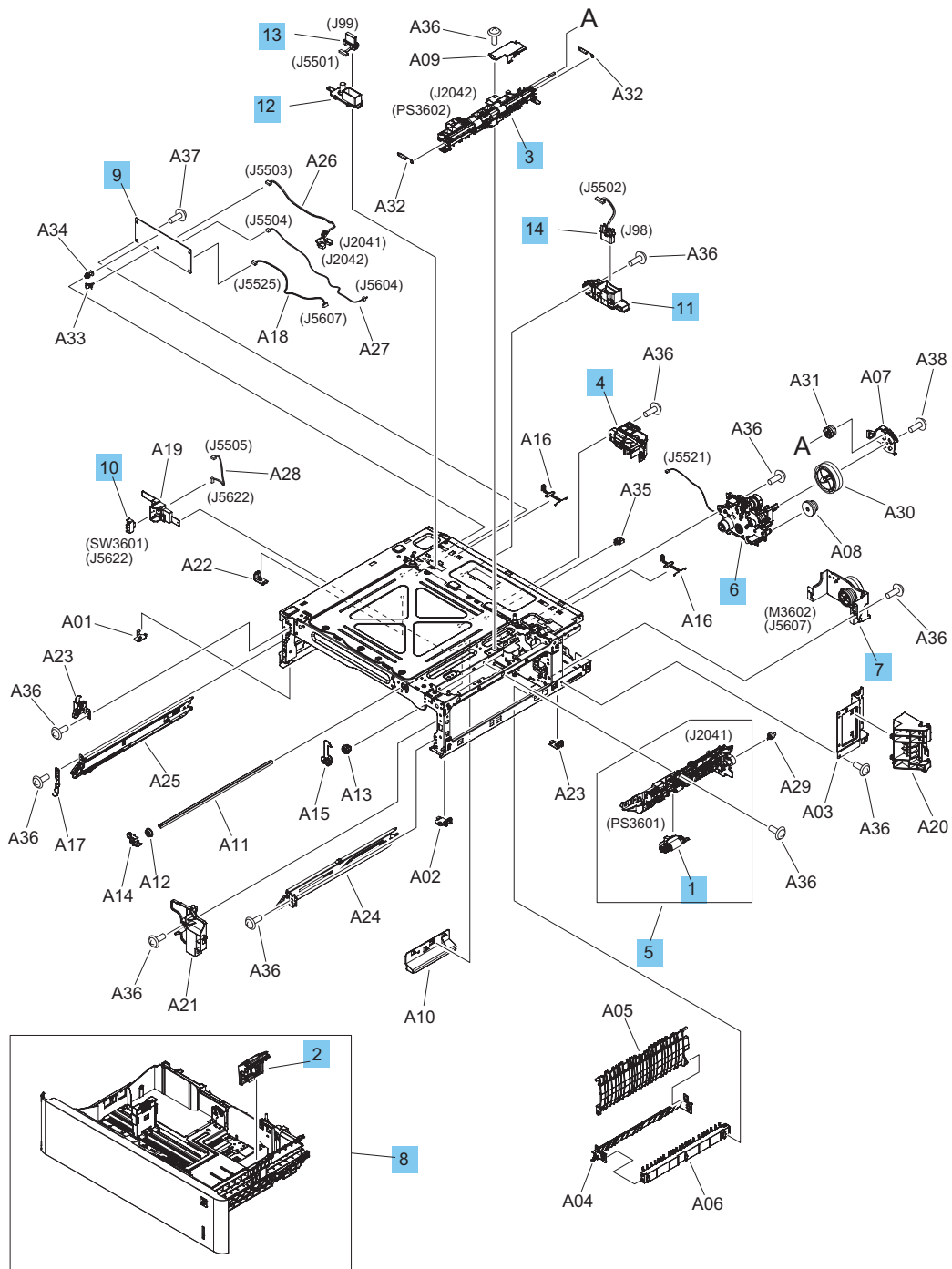


Table 2-11 550-sheet paper feeder main body

Ref	Description	Part number	Qty
1	Paper pick-up roller assembly (550-sheet feeder; part of LaserJet Trays 2-5 Roller Kit)	J7Z98-67902	1
2	Separation roller assembly (550-sheet feeder; part of LaserJet Trays 2-5 Roller Kit)	J7Z98-67902	1
3	Paper feed assembly (550-sheet feeder)	RM2-5145-000CN	1
4	Auto close assembly (550-sheet feeder)	RM2-5147-000CN	1
5	Paper pick-up assembly (550-sheet feeder)	RM2-5154-000CN	1
6	Lifter drive assembly (550-sheet feeder)	RM2-6933-000CN	1
7	Drive assembly (550-sheet feeder)	RM2-6934-000CN	1
8	Cassette assembly (550-sheet feeder)	RM2-6935-000CN	1
9	Feeder controller PCA (550-sheet feeder)	RM2-8491-000CN	1
10	Switch, push (550-sheet feeder)	WC2-5762-000CN	1
11	Holder, drawer connector (550-sheet feeder)	RC4-6497-000CN	1
12	Holder, drawer, upper (550-sheet feeder)	RC4-7680-000CN	1
13	Option upper cable assembly (550-sheet feeder)	RM2-8880-000CN	1
14	Option lower cable assembly (550-sheet feeder)	RM2-8881-000CN	1

Parts and diagrams: 1x550-sheet feeder and stand

1x550-sheet paper feeder covers

Figure 2-12 1x550-sheet paper feeder covers

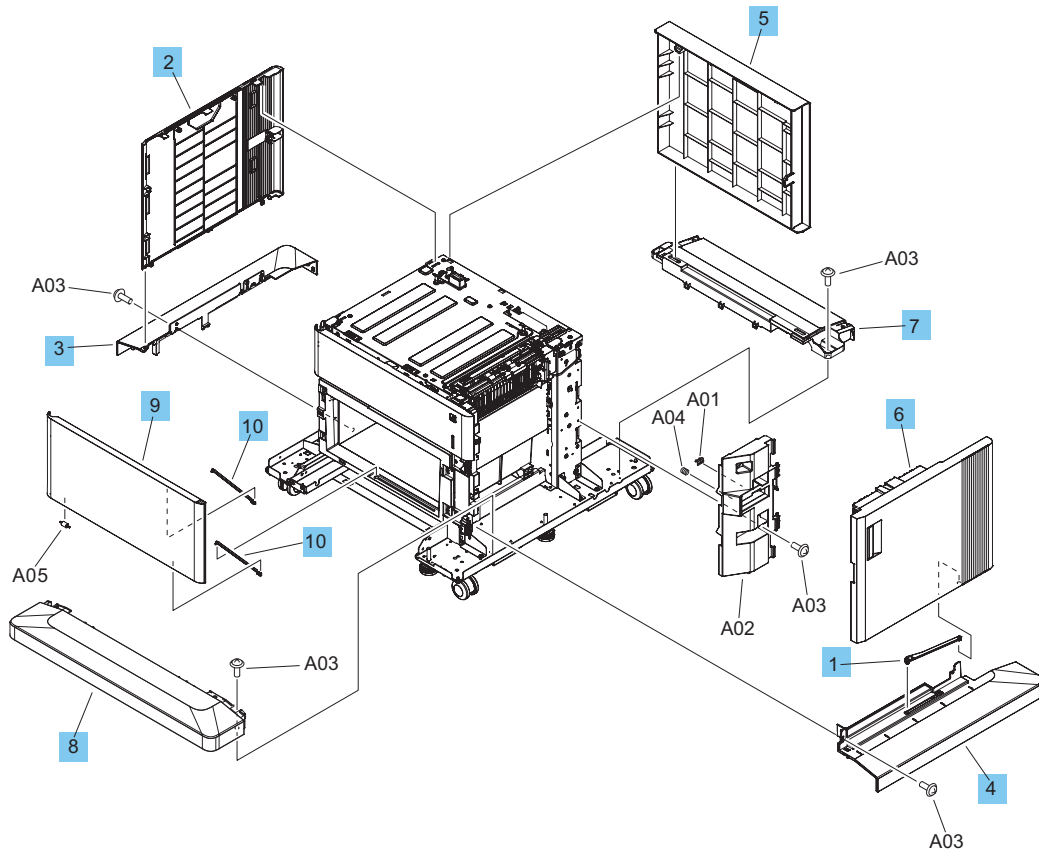


Table 2-12 1x550-sheet paper feeder covers

Ref	Description	Part number	Qty
1	Link, door (1x550-sheet feeder)	RC4-9824-000CN	1
2	Cover, left (1x550-sheet feeder)	RC5-0387-000CN	1
3	Cover, left lower (1x550-sheet feeder)	RC5-0385-000CN	1
4	Cover, right lower (1x550-sheet feeder)	RC5-0384-000CN	1
5	Cover, rear (1x550-sheet feeder)	RC5-0386-000CN	1
6	Right door assembly (1x550-sheet feeder)	RM2-1226-000CN	1
7	Cover, rear lower (1x550-sheet feeder)	RC5-0399-000CN	1
8	Cover, front lower (1x550-sheet feeder)	RC5-0383-000CN	1
9	Door, stock (1x550-sheet feeder)	RC5-0405-000CN	1
10	Link, door (1x550-sheet feeder)	RC4-1778-000CN	2

1x550-sheet paper feeder main body

Figure 2-13 1x550-sheet paper feeder main body

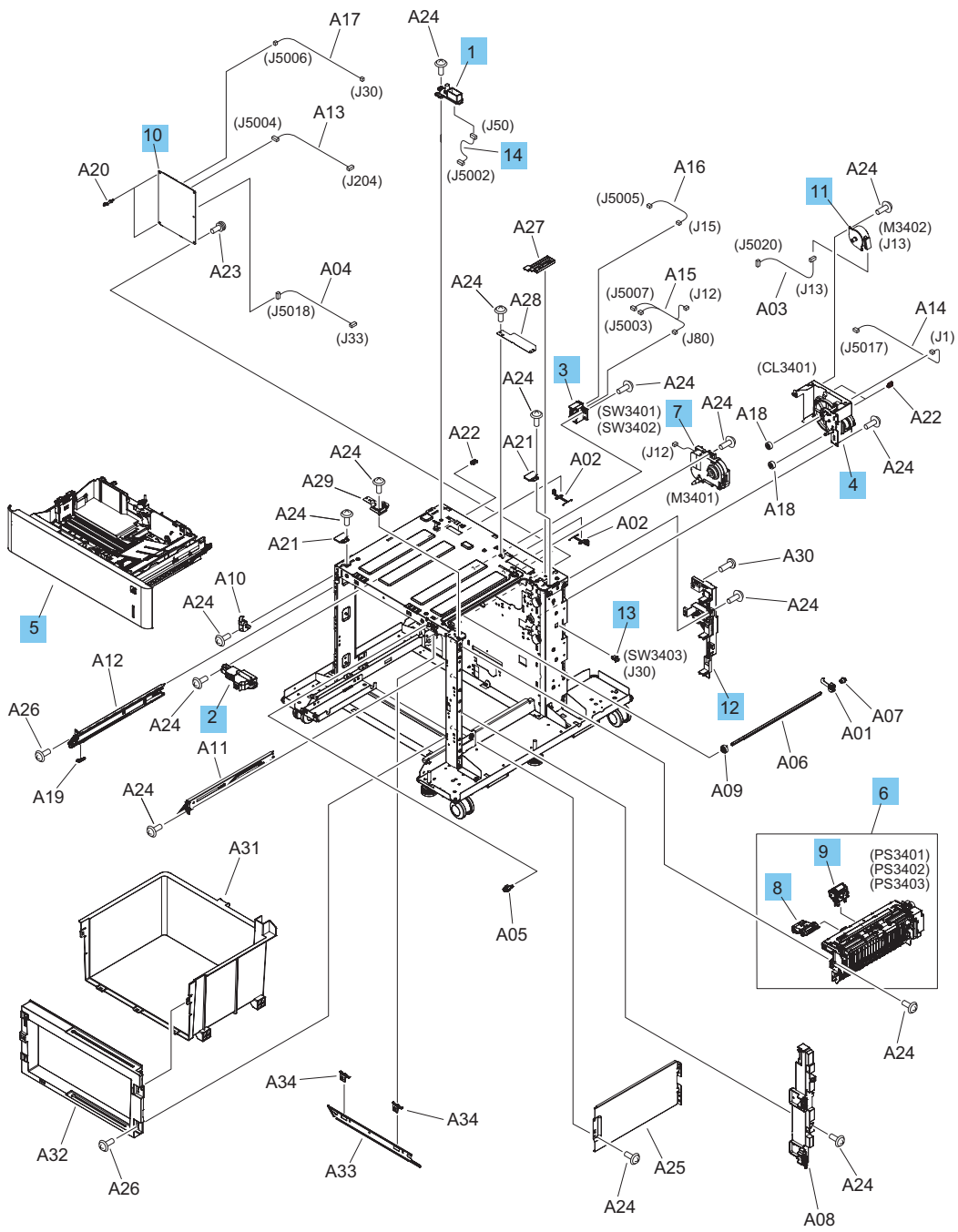


Table 2-13 1x550-sheet paper feeder main body

Ref	Description	Part number	Qty
1	Holder, drawer connector (1x550-sheet feeder)	RC4-8914-000CN	1
2	Auto close assembly (1x550-sheet feeder)	RM2-0856-000CN	1
3	Size sensor assembly (1x550-sheet feeder)	RM2-0857-000CN	1
4	Drive assembly (1x550-sheet feeder)	RM2-1222-000CN	1
5	Cassette assembly (tray; 1x550-sheet feeder)	RM2-1219-000CN	1
6	Paper pick-up assembly (1x550-sheet feeder)	RM2-1235-000CN	1
7	Lifter drive assembly (1x550-sheet feeder)	RM2-2091-000CN	1
8	Paper pickup roller assembly (1x550-sheet feeder; part of LaserJet Tray 2-5 Roller Kit)	J7Z98-67902	1
9	Separation roller assembly (1x550-sheet feeder; part of LaserJet Tray 2-5 Roller Kit)	J7Z98-67902	1
10	Paper deck cont. PCA	RM2-8482-000CN	1
11	Motor, stepping (1x550-sheet feeder)	RK2-7831-000CN	1
12	Estrangement holder assembly (1x550-sheet feeder)	RM2-1223-000CN	1
13	Switch, push (1x550-sheet feeder)	WC2-5803-000CN	1
14	Drawer upper cable assembly (1x550-sheet feeder)	RM2-9286-000CN	1

Parts and diagrams: 3x550-sheet feeder and stand

3x550-sheet paper feeder covers

Figure 2-14 3x550-sheet paper feeder covers

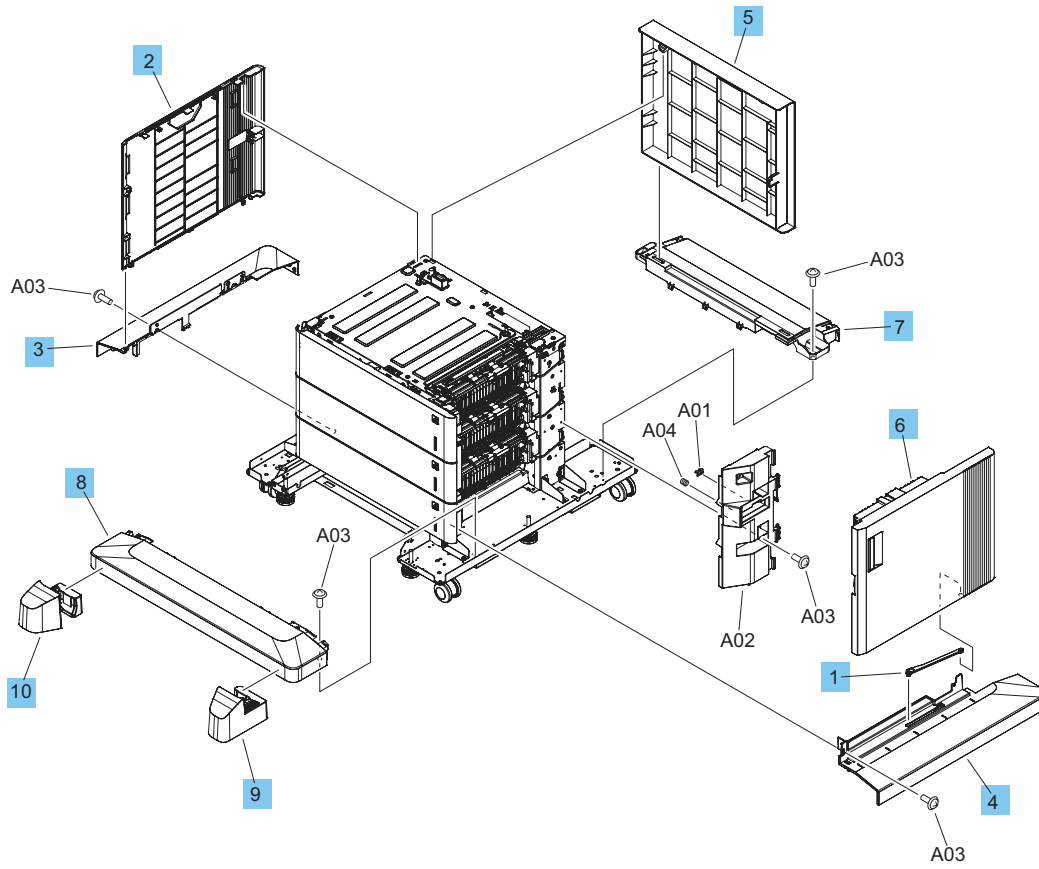


Table 2-14 3x550-sheet paper feeder covers

Ref	Description	Part number	Qty
1	Link, door (3x550-sheet feeder)	RC4-9824-000CN	1
2	Cover, left (3x550-sheet feeder)	RC5-0387-000CN	1
3	Cover, left lower (3x550-sheet feeder)	RC5-0385-000CN	1
4	Cover, right lower (3x550-sheet feeder)	RC5-0384-000CN	1
5	Cover, rear (3x550-sheet feeder)	RC5-0386-000CN	1
6	Right door assembly (3x550-sheet feeder)	RM2-1230-000CN	1
7	Cover, rear lower	RC5-0399-000CN	1
8	Cover, front lower	RC5-0383-000CN	1
9	Cover, caster, right	RC5-0417-000CN	1
10	Cover, caster, left	RC5-0418-000CN	1

3x550-sheet paper feeder main body

Figure 2-15 3x550-sheet paper feeder main body

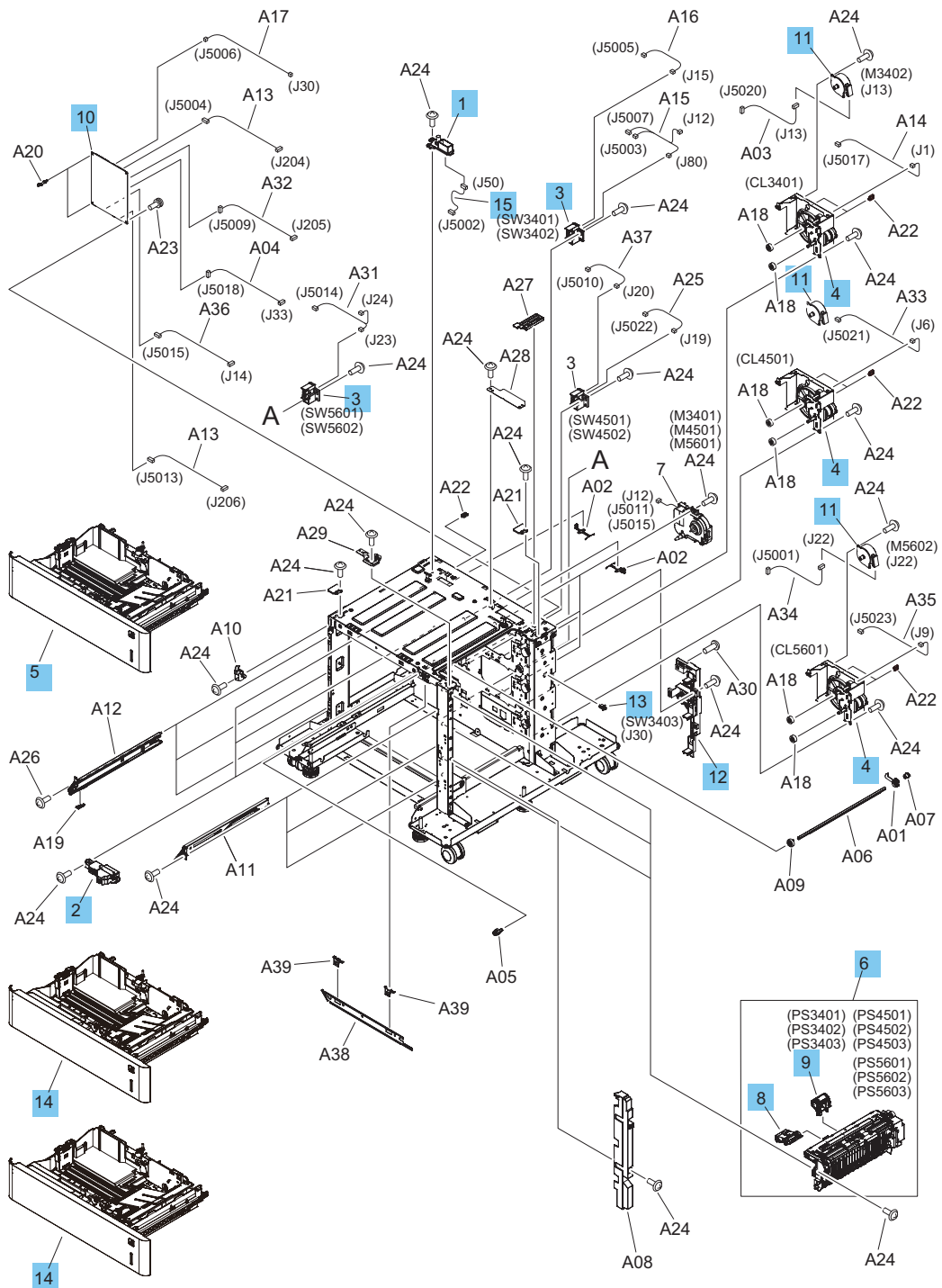


Table 2-15 3x550-sheet paper feeder main body

Ref	Description	Part number	Qty
1	Holder, drawer connector (3x550-sheet feeder)	RC4-8914-000CN	1
2	Auto close assembly (3x550-sheet feeder)	RM2-0856-000CN	3
3	Size sensor assembly (3x550-sheet feeder)	RM2-0857-000CN	3
4	Drive assembly (3x550-sheet feeder)	RM2-1222-000CN	3
5	Cassette assembly (upper tray; 3x550-sheet feeder)	RM2-1219-000CN	1
6	Paper pick-up assembly (3x550-sheet feeder)	RM2-1235-000CN	3
7	Lifter drive assembly (3x550-sheet feeder)	RM2-2091-000CN	3
8	Paper pickup roller assembly (HCI; part of LaserJet Tray 2-5 Roller Kit)	J7Z98-67902	3
9	Separation roller assembly (HCI; part of LaserJet Tray 2-5 Roller Kit)	J7Z98-67902	3
10	Paper deck cont. PCA (3x550-sheet feeder)	RM2-8483-000CN	1
11	Motor, stepping (3x550-sheet feeder)	RK2-7831-000CN	2
12	Estrangement holder assembly (3x550-sheet feeder)	RM2-1223-000CN	1
13	Switch, push (3x550-sheet feeder)	WC2-5803-00CN	1
14	Cassette assembly (middle/lower tray; 3x550-sheet feeder)	RM2-1231-000CN	2
15	Drawer upper cable assembly (3x550-sheet feeder)	RM2-9286-000CN	1

Parts and diagrams: HCI

HCI covers

Figure 2-16 HCI covers

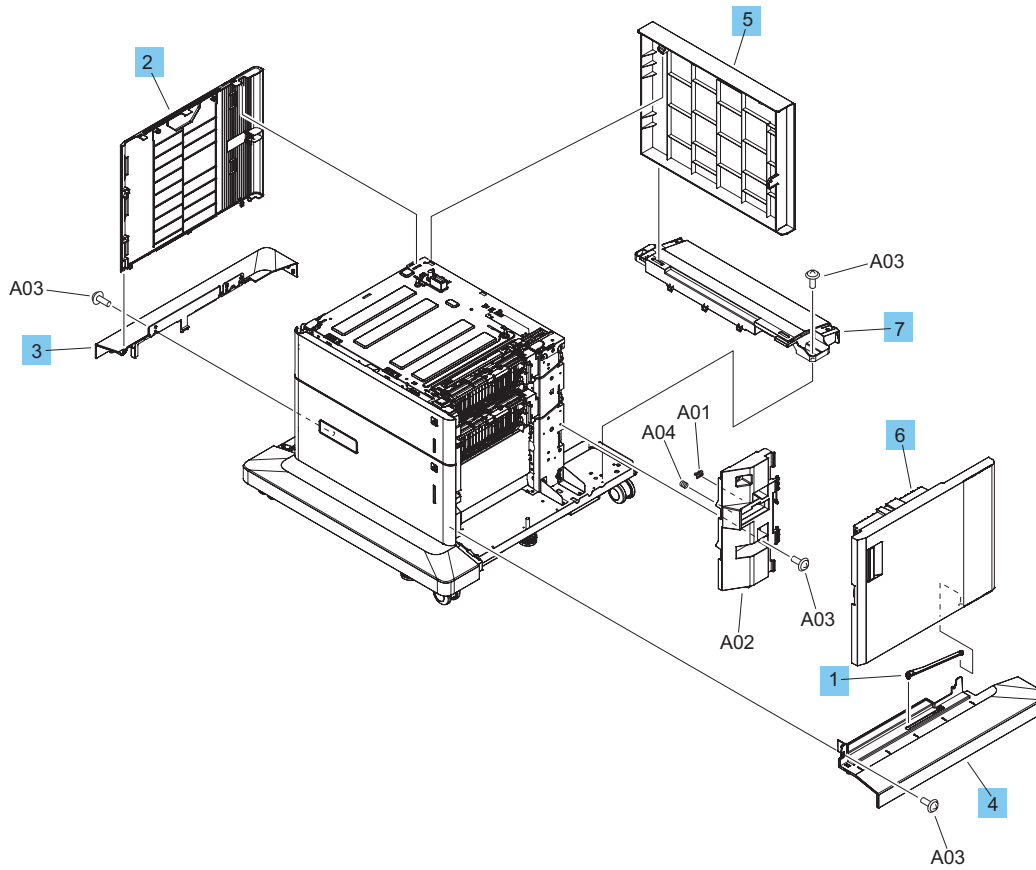


Table 2-16 HCI covers

Ref	Description	Part number	Qty
1	Link, door (HCI)	RC4-9824-000CN	1
2	Cover, left (HCI)	RC5-0387-000CN	1
3	Cover, left lower (HCI)	RC5-0385-000CN	1
4	Cover, right lower (HCI)	RC5-0384-000CN	1
5	Cover, rear (HCI)	RC5-0386-000CN	1
6	Right door assembly (HCI)	RM2-1218-000CN	1
7	Cover, rear lower (HCI)	RC5-0399-000CN	1

HCI main body

Figure 2-17 HCI main body

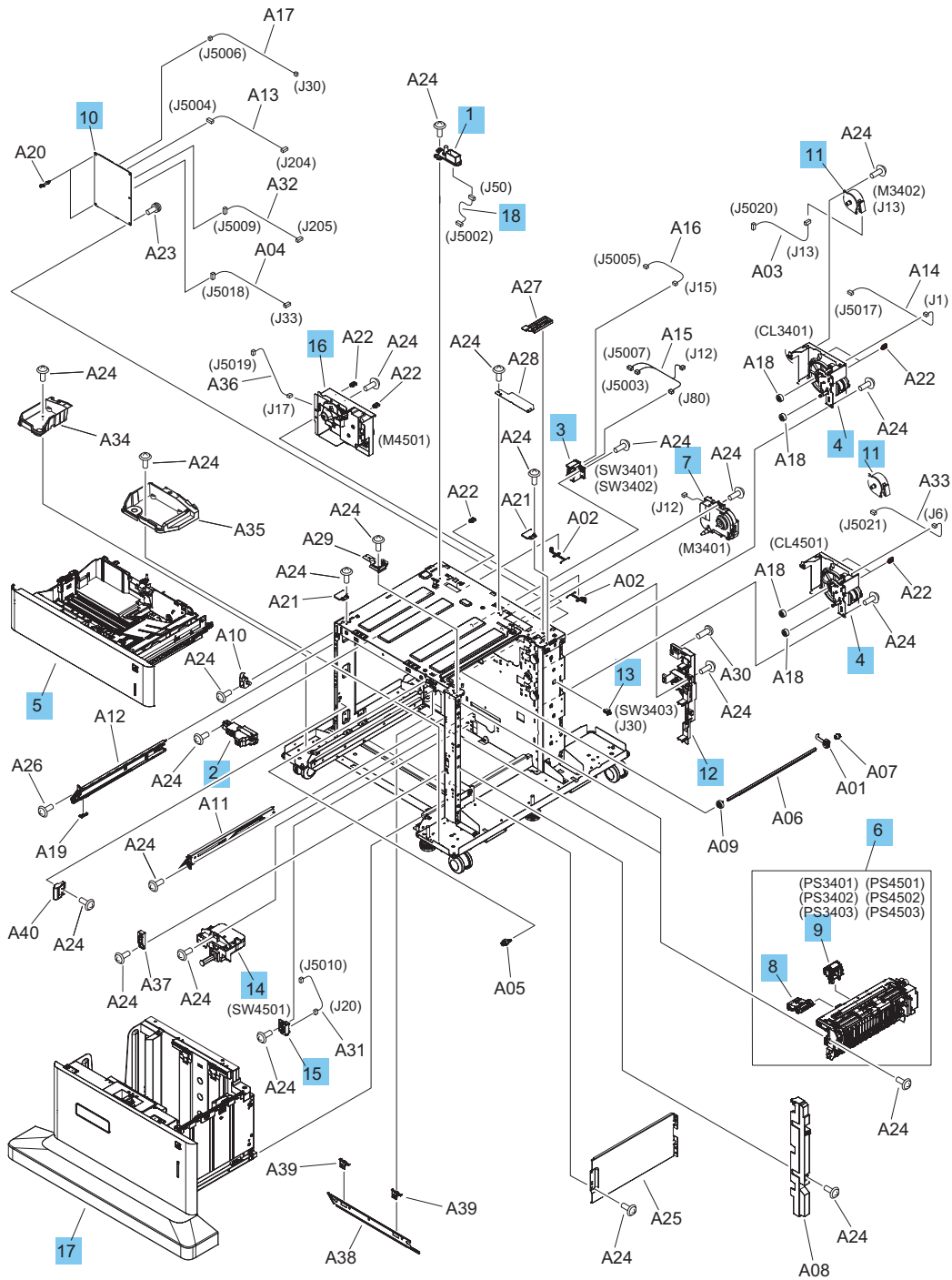


Table 2-17 HCI main body

Ref	Description	Part number	Qty
1	Holder, drawer connector (HCI)	RC4-8914-000CN	1
2	Auto close assembly (HCI)	RM2-0856-000CN	1
3	Size sensor assembly (HCI)	RM2-0857-000CN	1
4	Drive assembly (HCI)	RM2-1222-000CN	2
5	Cassette assembly (tray; HCI)	RM2-1219-000CN	1
6	Paper pick-up assembly (HCI)	RM2-1235-000CN	2
7	Lifter drive assembly (HCI)	RM2-2091-000CN	1
8	Paper pickup roller assembly (HCI; part of LaserJet Tray 2-5 Roller Kit)	J7Z98-67902	2
9	Separation roller assembly (HCI; part of LaserJet Tray 2-5 Roller Kit)	J7Z98-67902	2
10	Paper deck cont. PCA (HCI)	RM2-8481-000CN	1
11	Motor, stepping (HCI)	RK2-7831-000CN	1
12	Estrangement holder assembly (HCI)	RM2-1223-000CN	1
13	Switch, push (HCI)	WC2-5803-000CN	1
14	Tray auto close assembly (HCI)	RM2-0918-000CN	1
15	Size sensor assembly (HCI)	RM2-0921-000CN	1
16	Tray lifter motor drive assembly (HCI)	RM2-0915-000CN	1
17	Tray assembly (HCI)	RM2-1220-000CN	1
18	Drawer upper cable assembly (HCI)	RM2-9286-000CN	1

Parts and diagrams: Stapler/stacker assembly (M681 and M682 models only)

Parts and diagrams: 2-bin stapler/stacker with offset

Stapler/stacker covers

Figure 2-18 Stapler/stacker covers

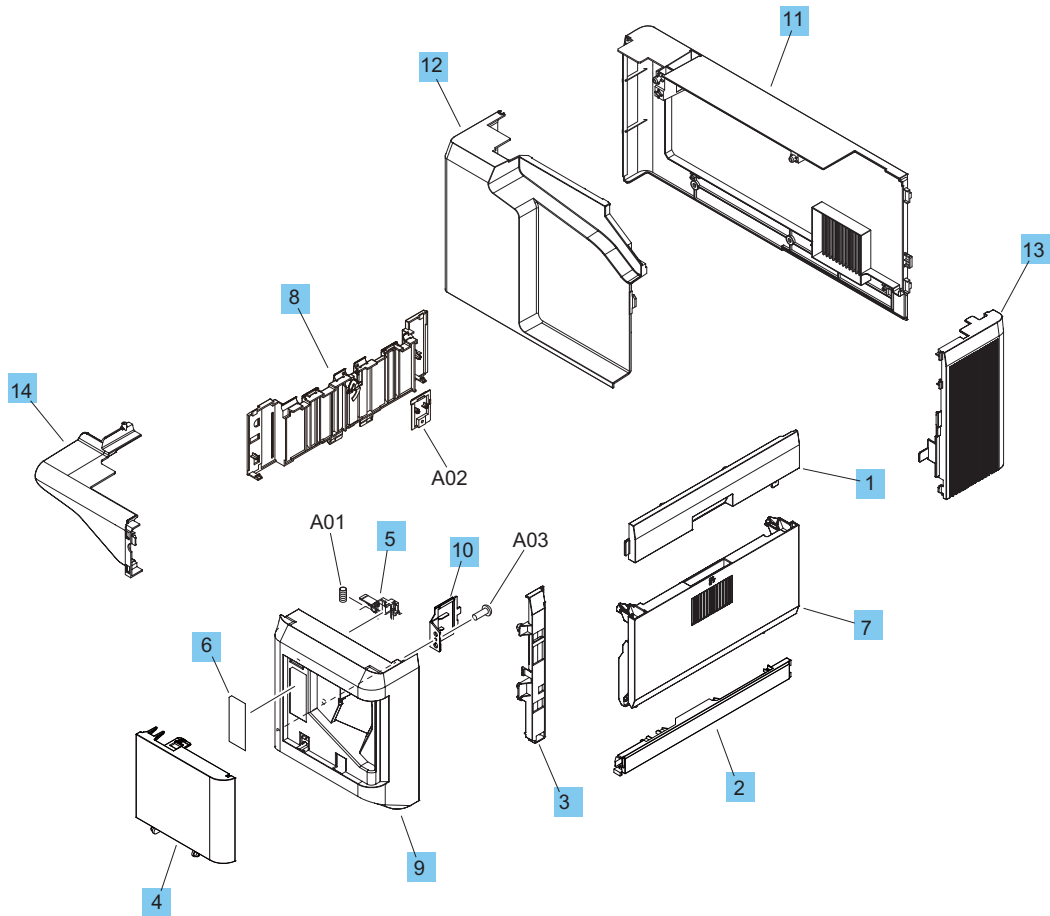


Table 2-18 Stapler/stacker covers

Ref	Description	Part number	Qty
1	Cover, right upper (stapler/stacker)	RC4-7409-000CN	1
2	Cover, right lower (stapler/stacker)	RC4-9439-000CN	1
3	Cover, staple rear (stapler/stacker)	RC4-7412-000CN	1
4	Door, staple (stapler/stacker)	RC4-9575-000CN	1
5	Arm, staple door lock (stapler/stacker)	RC4-9576-000CN	1
6	Label, staple exchange OPE. (stapler/stacker)	RU7-8831-000CN	1
7	Right door assembly (stapler/stacker)	RM2-6807-000CN	1
8	Stacking wall assembly (stapler/stacker)	RM2-1057-000CN	1
9	Cover, staple (stapler/stacker)	RC4-7405-000CN	1
10	Cover, right front (stapler/stacker)	RC4-9586-000CN	1
11	Cover, rear front (stapler/stacker)	RC4-7406-000CN	1
12	Cover, rear inner (stapler/stacker)	RC4-7407-000CN	1
13	Cover, rear corner (stapler/stacker)	RC4-7408-000CN	1
14	Cover, jogger (stapler/stacker)	RC4-7411-000CN	1

Stapler/stacker main body

Figure 2-19 Stapler/stacker main body

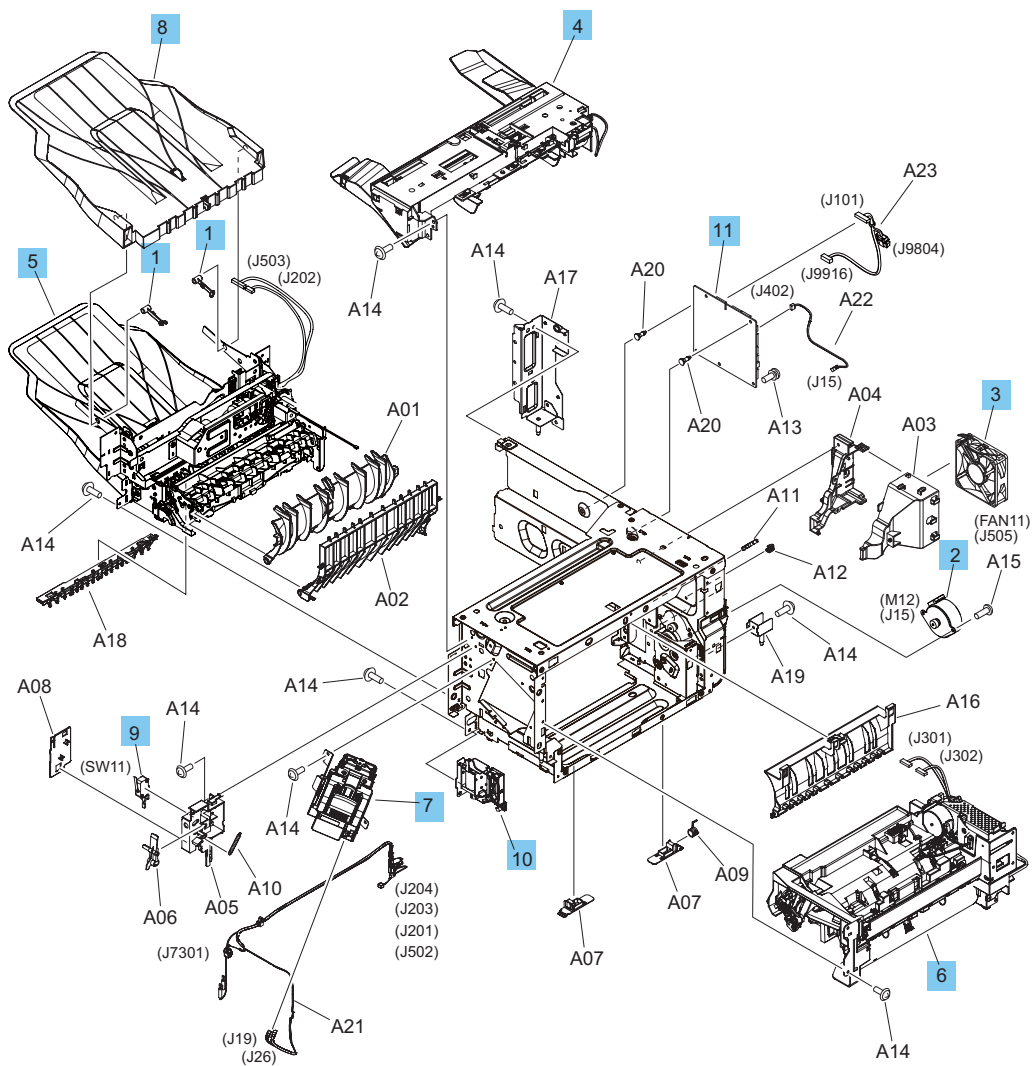


Table 2-19 Stapler/stacker main body

Ref	Description	Part number	Qty
1	Pin, tray fixed (stapler/stacker)	RC5-0353-000CN	2
2	Motor, stepping, DC (stapler/stacker)	RK2-8149-000CN	1
3	Fan (stapler/stacker)	RK2-8153-000CN	1
4	Jog assembly (stapler/stacker)	RM2-1066-000CN	1
5	Lower paper feed assembly (stapler/stacker)	RM2-6813-000CN	1
6	Upper paper feed assembly (stapler/stacker)	RM2-6810-000CN	1
7	Stapler assembly (stapler/stacker)	RM2-1193-000CN	1
8	Tray assembly (stapler/stacker)	RM2-1196-000CN	1
9	Microswitch (stapler/stacker)	WC4-5171-000CN	1
10	Solenoid assembly (stapler/stacker)	RM2-1040-000CN	1
11	Staple stacker PCA (stapler/stacker)	RM2-8689-000CN	1

Alphabetical parts list

Table 2-20 Alphabetical parts list

Description	Part number	Table and page
ADF hinge kit	5851-7205	Document feeder and scanner whole units (M681 and M682 only) on page 1657
Arm, staple door lock (stapler/stacker)	RC4-9576-000CN	Stapler/stacker covers on page 1691
Auto close assembly	CN	Internal components (5 of 6) on page 1671
Auto close assembly (1x550-sheet feeder)	RM2-0856-000CN	1x550-sheet paper feeder main body on page 1681
Auto close assembly (3x550-sheet feeder)	RM2-0856-000CN	3x550-sheet paper feeder main body on page 1685
Auto close assembly (550-sheet feeder)	RM2-5147-000CN	550-sheet paper feeder main body on page 1677
Auto close assembly (HCI)	RM2-0856-000CN	HCI main body on page 1689
Cable, flexible flat	RK2-7768-000CN	Internal components (6 of 6) on page 1673
Cable, flexible flat	RK2-7776-000CN	Internal components (6 of 6) on page 1673
Cable, HDMI	J8A10-60113	Document feeder and scanner whole units (M681 and M682 only) on page 1657
Cable, HIP control panel	J8A10-60114	Document feeder and scanner whole units (M681 and M682 only) on page 1657
Cable, SCB-formatter HDMI	J8A10-60110	Document feeder and scanner whole units (M681 and M682 only) on page 1657
Cable, SCB-formatter power	J8A10-60110	Document feeder and scanner whole units (M681 and M682 only) on page 1657
Cable, sideband control panel	J8A10-60112	Document feeder and scanner whole units (M681 and M682 only) on page 1657
Cable, WU USB control panel	J8A10-60111	Document feeder and scanner whole units (M681 and M682 only) on page 1657
Cassette assembly (550-sheet feeder)	RM2-6935-000CN	550-sheet paper feeder main body on page 1677
Cassette assembly (middle/lower tray; 3x550-sheet feeder)	RM2-1231-000CN	3x550-sheet paper feeder main body on page 1685
Cassette assembly (Tray 2)	RM2-6618-000CN	Internal components (4 of 6) on page 1669

Table 2-20 Alphabetical parts list (continued)

Description	Part number	Table and page
Cassette assembly (tray; 1x550-sheet feeder)	RM2-1219-000CN	1x550-sheet paper feeder main body on page 1681
Cassette assembly (tray; HCI)	RM2-1219-000CN	HCI main body on page 1689
Cassette assembly (upper tray; 3x550-sheet feeder)	RM2-1219-000CN	3x550-sheet paper feeder main body on page 1685
Connector	VS1-7258-012CN	Internal components (6 of 6) on page 1673
Control panel assembly	RM2-6796-000CN	Covers (M652 and M653) on page 1659
Control panel kit, M681 and M682	B5L47-67018	Document feeder and scanner whole units (M681 and M682 only) on page 1657
Cover, blanking	RC5-3356-000CN	Covers (M652 and M653) on page 1659
Cover, caster, left	RC5-0418-000CN	3x550-sheet paper feeder covers on page 1683
Cover, caster, right	RC5-0417-000CN	3x550-sheet paper feeder covers on page 1683
Cover, control panel	J8J63-60137	Document feeder and scanner whole units (M681 and M682 only) on page 1657
Cover, control panel back	RC4-8239-000CN	Covers (M652 and M653) on page 1659
Cover, front	RC4-6860-000CN	Covers (M681 and M682) on page 1661
Cover, front lower	RC5-0383-000CN	3x550-sheet paper feeder covers on page 1683
Cover, front lower (1x550-sheet feeder)	RC5-0383-000CN	1x550-sheet paper feeder covers on page 1679
Cover, HIP	B5L46-40021	Document feeder and scanner whole units (M681 and M682 only) on page 1657
Cover, HIP	RC4-0213-000CN	Covers (M652 and M653) on page 1659
Cover, jogger (stapler/stacker)	RC4-7411-000CN	Stapler/stacker covers on page 1691
Cover, left (1x550-sheet feeder)	RC5-0387-000CN	1x550-sheet paper feeder covers on page 1679
Cover, left (3x550-sheet feeder)	RC5-0387-000CN	3x550-sheet paper feeder covers on page 1683
Cover, left (550-sheet feeder)	RC4-7682-000CN	550-sheet paper feeder covers on page 1675
Cover, left (HCI)	RC5-0387-000CN	HCI covers on page 1687

Table 2-20 Alphabetical parts list (continued)

Description	Part number	Table and page
Cover, left lower (1x550-sheet feeder)	RC5-0385-000CN	1x550-sheet paper feeder covers on page 1679
Cover, left lower (3x550-sheet feeder)	RC5-0385-000CN	3x550-sheet paper feeder covers on page 1683
Cover, left lower (HCI)	RC5-0385-000CN	HCI covers on page 1687
Cover, left rear	RC4-6858-000CN	Covers (M652 and M653) on page 1659
Cover, left rear	RC4-6858-000CN	Covers (M681 and M682) on page 1661
Cover, main	RC4-6861-000CN	Covers (M681 and M682) on page 1661
Cover, output bin	RC4-6859-000CN	Covers (M681 and M682) on page 1661
Cover, output bin, front	RC5-1842-000CN	Covers (M681 and M682) on page 1661
Cover, rear	RC4-6862-000CN	Covers (M681 and M682) on page 1661
Cover, rear (1x550-sheet feeder)	RC5-0386-000CN	1x550-sheet paper feeder covers on page 1679
Cover, rear (3x550-sheet feeder)	RC5-0386-000CN	3x550-sheet paper feeder covers on page 1683
Cover, rear (550-sheet feeder)	RC4-7683-000CN	550-sheet paper feeder covers on page 1675
Cover, rear (HCI)	RC5-0386-000CN	HCI covers on page 1687
Cover, rear corner (stapler/stacker)	RC4-7408-000CN	Stapler/stacker covers on page 1691
Cover, rear front (stapler/stacker)	RC4-7406-000CN	Stapler/stacker covers on page 1691
Cover, rear inner (stapler/stacker)	RC4-7407-000CN	Stapler/stacker covers on page 1691
Cover, rear lower	RC5-0399-000CN	3x550-sheet paper feeder covers on page 1683
Cover, rear lower (1x550-sheet feeder)	RC5-0399-000CN	1x550-sheet paper feeder covers on page 1679
Cover, rear lower (HCI)	RC5-0399-000CN	HCI covers on page 1687
Cover, right	RC5-1843-000CN	Covers (M681 and M682) on page 1661
Cover, right front (stapler/stacker)	RC4-9586-000CN	Stapler/stacker covers on page 1691
Cover, right lower (1x550-sheet feeder)	RC5-0384-000CN	1x550-sheet paper feeder covers on page 1679
Cover, right lower (3x550-sheet feeder)	RC5-0384-000CN	3x550-sheet paper feeder covers on page 1683

Table 2-20 Alphabetical parts list (continued)

Description	Part number	Table and page
Cover, right lower (550-sheet feeder)	RC4-7684-000CN	550-sheet paper feeder covers on page 1675
Cover, right lower (HCI)	RC5-0384-000CN	HCI covers on page 1687
Cover, right lower (stapler/stacker)	RC4-9439-000CN	Stapler/stacker covers on page 1691
Cover, right rear	RC4-6425-000CN	Covers (M652 and M653) on page 1659
Cover, right rear	RC4-6425-000CN	Covers (M681 and M682) on page 1661
Cover, right upper (stapler/stacker)	RC4-7409-000CN	Stapler/stacker covers on page 1691
Cover, staple (stapler/stacker)	RC4-7405-000CN	Stapler/stacker covers on page 1691
Cover, staple rear (stapler/stacker)	RC4-7412-000CN	Stapler/stacker covers on page 1691
Cover, top	RC4-6429-000CN	Covers (M652 and M653) on page 1659
Cover, top	RC4-6865-000CN	Covers (M681 and M682) on page 1661
Cover, Tray 1 roller	RC4-7318-000CN	Covers (M652 and M653) on page 1659
Cover, Tray 1 roller	RC4-7318-000CN	Covers (M681 and M682) on page 1661
Cover, USB	RC4-9423-000	Document feeder and scanner whole units (M681 and M682 only) on page 1657
Cover, USB	RC4-9423-000CN	Covers (M652 and M653) on page 1659
DC controller PCA, M652-M653	RM3-7030-000CN	Internal components (6 of 6) on page 1673
DC controller PCA, M681-M682	RM3-7031-000CN	Internal components (6 of 6) on page 1673
Density detect assembly	RM2-7160-000CN	Internal components (4 of 6) on page 1669
Document feeder (Flow models) kit; includes white backing and retention clips	5851-7204	Document feeder and scanner whole units (M681 and M682 only) on page 1657
Document feeder (non-Flow models) kit; includes white backing and retention clips	5851-7203	Document feeder and scanner whole units (M681 and M682 only) on page 1657
Door assembly, right (550-sheet feeder)	RM2-6937-000CN	550-sheet paper feeder covers on page 1675
Door, left	RL2-1500-000CN	Covers (M652 and M653) on page 1659

Table 2-20 Alphabetical parts list (continued)

Description	Part number	Table and page
Door, left	RL2-1500-000CN	Covers (M681 and M682) on page 1661
Door, staple (stapler/stacker)	RC4-9575-000CN	Stapler/stacker covers on page 1691
Door, stock (1x550-sheet feeder)	RC5-0405-000CN	1x550-sheet paper feeder covers on page 1679
Drawer upper cable assembly (1x550-sheet feeder)	RM2-9286-000CN	1x550-sheet paper feeder main body on page 1681
Drawer upper cable assembly (3x550-sheet feeder)	RM2-9286-000CN	3x550-sheet paper feeder main body on page 1685
Drawer upper cable assembly (HCI)	RM2-9286-000CN	HCI main body on page 1689
Drive assembly (1x550-sheet feeder)	RM2-1222-000CN	1x550-sheet paper feeder main body on page 1681
Drive assembly (3x550-sheet feeder)	RM2-1222-000CN	3x550-sheet paper feeder main body on page 1685
Drive assembly (550-sheet feeder)	RM2-6934-000CN	550-sheet paper feeder main body on page 1677
Drive assembly (HCI)	RM2-1222-000CN	HCI main body on page 1689
Drum motor assembly	CN	Internal components (5 of 6) on page 1671
Environmental sensor PCA assembly	RM2-8440-000CN	Internal components (3 of 6) on page 1667
Estrangement detect PCA assembly	RM2-7157-000CN	Internal components (3 of 6) on page 1667
Estrangement holder assembly (1x550-sheet feeder)	RM2-1223-000CN	1x550-sheet paper feeder main body on page 1681
Estrangement holder assembly (3x550-sheet feeder)	RM2-1223-000CN	3x550-sheet paper feeder main body on page 1685
Estrangement holder assembly (HCI)	RM2-1223-000CN	HCI main body on page 1689
Fan	RK2-6124-000CN	Internal components (3 of 6) on page 1667
Fan	RK2-7949-000CN	Internal components (3 of 6) on page 1667
Fan	RK2-7951-000CN	Internal components (3 of 6) on page 1667
Fan	RK2-6124-000CN	Internal components (4 of 6) on page 1669
Fan	RK2-7953-000CN	Internal components (6 of 6) on page 1673
Fan (stapler/stacker)	RK2-8153-000CN	Stapler/stacker main body on page 1693
Feed roller assembly	RM2-6684-000CN	Internal components (4 of 6) on page 1669

Table 2-20 Alphabetical parts list (continued)

Description	Part number	Table and page
Feeder controller PCA (550-sheet feeder)	RM2-8491-000CN	550-sheet paper feeder main body on page 1677
Formatter cover assembly	RM2-6657-000CN	Covers (M652 and M653) on page 1659
Formatter cover assembly	RM2-6657-000CN	Covers (M681 and M682) on page 1661
Formatter kit (M652/M653)	J7Z98-60001	Internal components (6 of 6) on page 1673
Formatter kit (M652/M653; India/China)	J7Z98-67904	Internal components (6 of 6) on page 1673
Formatter kit (M681/M682)	J8A10-60001	Internal components (6 of 6) on page 1673
Formatter kit (M681/M682; India/China)	J8A10-67902	Internal components (6 of 6) on page 1673
Front door assembly	RM2-6658-000CN	Covers (M652 and M653) on page 1659
Front door assembly	RM2-6658-000CN	Covers (M681 and M682) on page 1661
Fuser assembly, 110-127V	RM2-1928-000CN	Internal components (4 of 6) on page 1669
Fuser assembly, 220-240V	RM2-1929-000CN	Internal components (4 of 6) on page 1669
Fuser drive assembly	CN	Internal components (5 of 6) on page 1671
Fuser motor drive assembly	CN	Internal components (5 of 6) on page 1671
Guide, NIP	RC5-1892-000CN	Covers (M652 and M653) on page 1659
Guide, NIP	RC5-1892-000CN	Covers (M681 and M682) on page 1661
Handle, rear	RC4-9410-000CN	Internal components (6 of 6) on page 1673
Holder, drawer connector	RC4-6497-000CN	Internal components (6 of 6) on page 1673
Holder, drawer connector (1x550-sheet feeder)	RC4-8914-000CN	1x550-sheet paper feeder main body on page 1681
Holder, drawer connector (3x550-sheet feeder)	RC4-8914-000CN	3x550-sheet paper feeder main body on page 1685
Holder, drawer connector (550-sheet feeder)	RC4-6497-000CN	550-sheet paper feeder main body on page 1677
Holder, drawer connector (HCI)	RC4-8914-000CN	HCI main body on page 1689
Holder, drawer, upper (550-sheet feeder)	RC4-7680-000CN	550-sheet paper feeder main body on page 1677

Table 2-20 Alphabetical parts list (continued)

Description	Part number	Table and page
Image scanner kit; includes white backing and retention clips, keyboard cover, and rear cover	J8A10-67901	Document feeder and scanner whole units (M681 and M682 only) on page 1657
Image Transfer Belt (ITB) (part of LaserJet Image Transfer and Roller Kit)	P1B93-67901	Internal components (3 of 6) on page 1667
Jog assembly (stapler/stacker)	RM2-1066-000CN	Stapler/stacker main body on page 1693
Keyboard overlay kit (ES, PT)	5851-6023	Document feeder and scanner whole units (M681 and M682 only) on page 1657
Keyboard overlay kit (FR, IT, RU, DE, ES: UK Kybd)	5851-6019	Document feeder and scanner whole units (M681 and M682 only) on page 1657
Keyboard overlay kit (FR-CN, ES-LA, ES: US Kybd)	5851-6020	Document feeder and scanner whole units (M681 and M682 only) on page 1657
Keyboard overlay kit (FR-SW, DE-SW, DA: UK Kybd)	5851-6021	Document feeder and scanner whole units (M681 and M682 only) on page 1657
Keyboard overlay kit (JA-KG, JA-KT)	5851-6024	Document feeder and scanner whole units (M681 and M682 only) on page 1657
Keyboard overlay kit (ZHTW, ZHCN)	5851-6022	Document feeder and scanner whole units (M681 and M682 only) on page 1657
Keyboard UK (Flow models)	B5L47-67020	Document feeder and scanner whole units (M681 and M682 only) on page 1657
Keyboard US (Flow models)	B5L47-67019	Document feeder and scanner whole units (M681 and M682 only) on page 1657
Label, staple exchange OPE. (stapler/stacker)	RU7-8831-000CN	Stapler/stacker covers on page 1691
Laser scanner assembly	RM2-1237-000CN	Internal components (3 of 6) on page 1667
LaserJet ADF roller kit	5851-7202	Document feeder and scanner whole units (M681 and M682 only) on page 1657
LaserJet ADF white backing, A4, kit	5851-7202	Document feeder and scanner whole units (M681 and M682 only) on page 1657
Left handle assembly	RM2-1958-000CN	Covers (M652 and M653) on page 1659
Left handle assembly	RM2-1958-000CN	Covers (M681 and M682) on page 1661
Lifter drive assembly	CN	Internal components (5 of 6) on page 1671

Table 2-20 Alphabetical parts list (continued)

Description	Part number	Table and page
Lifter drive assembly (1x550-sheet feeder)	RM2-2091-000CN	1x550-sheet paper feeder main body on page 1681
Lifter drive assembly (3x550-sheet feeder)	RM2-2091-000CN	3x550-sheet paper feeder main body on page 1685
Lifter drive assembly (550-sheet feeder)	RM2-6933-000CN	550-sheet paper feeder main body on page 1677
Lifter drive assembly (HCI)	RM2-2091-000CN	HCI main body on page 1689
Link, door (1x550-sheet feeder)	RC4-9824-000CN	1x550-sheet paper feeder covers on page 1679
Link, door (1x550-sheet feeder)	RC4-1778-000CN	1x550-sheet paper feeder covers on page 1679
Link, door (3x550-sheet feeder)	RC4-9824-000CN	3x550-sheet paper feeder covers on page 1683
Link, door (HCI)	RC4-9824-000CN	HCI covers on page 1687
Link, door, right (550-sheet feeder)	RC4-1778-000CN	550-sheet paper feeder covers on page 1675
Lower high voltage power supply PCA	RM3-7006-000CN	Internal components (6 of 6) on page 1673
Lower paper feed assembly (stapler/stacker)	RM2-6813-000CN	Stapler/stacker main body on page 1693
Main drive assembly	CN	Internal components (5 of 6) on page 1671
Memory PCA	RM2-7138-000CN	Internal components (6 of 6) on page 1673
Microswitch	RM2-6545-000CN	Internal components (2 of 6) on page 1665
Microswitch (stapler/stacker)	WC4-5171-000CN	Stapler/stacker main body on page 1693
Motor, stepping	CN	Internal components (5 of 6) on page 1671
Motor, stepping	CN	Internal components (5 of 6) on page 1671
Motor, stepping (1x550-sheet feeder)	RK2-7831-000CN	1x550-sheet paper feeder main body on page 1681
Motor, stepping (3x550-sheet feeder)	RK2-7831-000CN	3x550-sheet paper feeder main body on page 1685
Motor, stepping (HCI)	RK2-7831-000CN	HCI main body on page 1689
Motor, stepping, DC (stapler/stacker)	RK2-8149-000CN	Stapler/stacker main body on page 1693
Option lower cable assembly (550-sheet feeder)	RM2-8881-000CN	550-sheet paper feeder main body on page 1677
Option upper cable assembly (550-sheet feeder)	RM2-8880-000CN	550-sheet paper feeder main body on page 1677

Table 2-20 Alphabetical parts list (continued)

Description	Part number	Table and page
Output bin assembly	RM2-1953-000CN	Covers (M652 and M653) on page 1659
Output bin assembly	RM2-1953-000CN	Covers (M681 and M682) on page 1661
Paper deck cont. PCA	RM2-8482-000CN	1x550-sheet paper feeder main body on page 1681
Paper deck cont. PCA (3x550-sheet feeder)	RM2-8483-000CN	3x550-sheet paper feeder main body on page 1685
Paper deck cont. PCA (HCI)	RM2-8481-000CN	HCI main body on page 1689
Paper delivery assembly	RM2-6621-000CN	Internal components (4 of 6) on page 1669
Paper feed assembly (550-sheet feeder)	RM2-5145-000CN	550-sheet paper feeder main body on page 1677
Paper pick-up assembly	RM2-6556-000CN	Internal components (4 of 6) on page 1669
Paper pick-up assembly (1x550-sheet feeder)	RM2-1235-000CN	1x550-sheet paper feeder main body on page 1681
Paper pick-up assembly (3x550-sheet feeder)	RM2-1235-000CN	3x550-sheet paper feeder main body on page 1685
Paper pick-up assembly (550-sheet feeder)	RM2-5154-000CN	550-sheet paper feeder main body on page 1677
Paper pick-up assembly (HCI)	RM2-1235-000CN	HCI main body on page 1689
Paper pick-up roller assembly	RM2-6681-000CN	Internal components (4 of 6) on page 1669
Paper pick-up roller assembly (550-sheet feeder; part of LaserJet Trays 2-5 Roller Kit)	J7Z98-67902	550-sheet paper feeder main body on page 1677
Paper pickup roller assembly (1x550-sheet feeder; part of LaserJet Tray 2-5 Roller Kit)	J7Z98-67902	1x550-sheet paper feeder main body on page 1681
Paper pickup roller assembly (HCI; part of LaserJet Tray 2-5 Roller Kit)	J7Z98-67902	3x550-sheet paper feeder main body on page 1685
Paper pickup roller assembly (HCI; part of LaserJet Tray 2-5 Roller Kit)	J7Z98-67902	HCI main body on page 1689
Pin, tray fixed (stapler/stacker)	RC5-0353-000CN	Stapler/stacker main body on page 1693
Power supply PCA, 110-127V	RM2-8421-000CN	Internal components (6 of 6) on page 1673
Power supply PCA, 220-240V	RM2-8422-000CN	Internal components (6 of 6) on page 1673
Power supply switch assembly	RM2-1947-000CN	Internal components (2 of 6) on page 1665
Pre-exposure PCA assembly	RM3-7046-000CN	Internal components (2 of 6) on page 1665
Pre-exposure PCA assembly	RM3-7047-000CN	Internal components (2 of 6) on page 1665

Table 2-20 Alphabetical parts list (continued)

Description	Part number	Table and page
Rear cover assembly	RM2-1951-000CN	Covers (M652 and M653) on page 1659
Rear cover assembly	RM2-1951-000CN	Covers (M681 and M682) on page 1661
Registration assembly	RM2-1957-000CN	Internal components (4 of 6) on page 1669
Right door assembly	RM2-6622-000CN	Covers (M652 and M653) on page 1659
Right door assembly	RM2-6622-000CN	Covers (M681 and M682) on page 1661
Right door assembly (1x550-sheet feeder)	RM2-1226-000CN	1x550-sheet paper feeder covers on page 1679
Right door assembly (3x550-sheet feeder)	RM2-1230-000CN	3x550-sheet paper feeder covers on page 1683
Right door assembly (HCI)	RM2-1218-000CN	HCI covers on page 1687
Right door assembly (stapler/stacker)	RM2-6807-000CN	Stapler/stacker covers on page 1691
Right handle assembly	RM2-6659-000CN	Covers (M652 and M653) on page 1659
Right handle assembly	RM2-6659-000CN	Covers (M681 and M682) on page 1661
Roller, pickup, Tray 1	RL2-0034-000CN	Covers (M652 and M653) on page 1659
Roller, pickup, Tray 1	RL2-0034-000CN	Covers (M681 and M682) on page 1661
Roller, separation, Tray 1	RL2-0079-000CN	Covers (M652 and M653) on page 1659
Roller, separation, Tray 1	RL2-0079-000CN	Covers (M681 and M682) on page 1661
Scan control board (Flow models)	J8A08-60103	Document feeder and scanner whole units (M681 and M682 only) on page 1657
Scan control board (non-Flow models)	J8J63-60109	Document feeder and scanner whole units (M681 and M682 only) on page 1657
Secondary transfer assembly	RM2-6682-000CN	Internal components (4 of 6) on page 1669
Secondary transfer roller assembly (part of LaserJet Image Transfer and Roller Kit)	P1B93-67901	Internal components (4 of 6) on page 1669
Separation roller assembly	RM2-0064-000CN	Internal components (4 of 6) on page 1669
Separation roller assembly (1x550-sheet feeder; part of LaserJet Tray 2-5 Roller Kit)	J7Z98-67902	1x550-sheet paper feeder main body on page 1681

Table 2-20 Alphabetical parts list (continued)

Description	Part number	Table and page
Separation roller assembly (550-sheet feeder; part of LaserJet Trays 2-5 Roller Kit)	J7Z98-67902	550-sheet paper feeder main body on page 1677
Separation roller assembly (HCI; part of LaserJet Tray 2-5 Roller Kit)	J7Z98-67902	3x550-sheet paper feeder main body on page 1685
Separation roller assembly (HCI; part of LaserJet Tray 2-5 Roller Kit)	J7Z98-67902	HCI main body on page 1689
Size sensor assembly (1x550-sheet feeder)	RM2-0857-000CN	1x550-sheet paper feeder main body on page 1681
Size sensor assembly (3x550-sheet feeder)	RM2-0857-000CN	3x550-sheet paper feeder main body on page 1685
Size sensor assembly (HCI)	RM2-0857-000CN	HCI main body on page 1689
Size sensor assembly (HCI)	RM2-0921-000CN	HCI main body on page 1689
Solenoid assembly (stapler/stacker)	RM2-1040-000CN	Stapler/stacker main body on page 1693
Stacking wall assembly (stapler/stacker)	RM2-1057-000CN	Stapler/stacker covers on page 1691
Staple stacker PCA (stapler/stacker)	RM2-8689-000CN	Stapler/stacker main body on page 1693
Stapler assembly (stapler/stacker)	RM2-1193-000CN	Stapler/stacker main body on page 1693
Switch, push (1x550-sheet feeder)	WC2-5803-000CN	1x550-sheet paper feeder main body on page 1681
Switch, push (3x550-sheet feeder)	WC2-5803-00CN	3x550-sheet paper feeder main body on page 1685
Switch, push (550-sheet feeder)	WC2-5762-000CN	550-sheet paper feeder main body on page 1677
Switch, push (HCI)	WC2-5803-000CN	HCI main body on page 1689
Toner carry assembly	RM2-6620-000CN	Internal components (1 of 6) on page 1663
Toner collection unit	RM2-6613-000CN	Internal components (3 of 6) on page 1667
Tray assembly (HCI)	RM2-1220-000CN	HCI main body on page 1689
Tray assembly (stapler/stacker)	RM2-1196-000CN	Stapler/stacker main body on page 1693
Tray auto close assembly (HCI)	RM2-0918-000CN	HCI main body on page 1689
Tray lifter motor drive assembly (HCI)	RM2-0915-000CN	HCI main body on page 1689
Upper high voltage power supply PCA	RM2-8424-000CN	Internal components (6 of 6) on page 1673
Upper paper feed assembly (stapler/stacker)	RM2-6810-000CN	Stapler/stacker main body on page 1693
White backing retention clip kit	5851-7207	Document feeder and scanner whole units (M681 and M682 only) on page 1657

Numerical parts list

Table 2-21 Numerical parts list

Part number	Description	Table and page
5851-6019	Keyboard overlay kit (FR, IT, RU, DE, ES: UK Kybd)	Document feeder and scanner whole units (M681 and M682 only) on page 1657
5851-6020	Keyboard overlay kit (FR-CN, ES-LA, ES: US Kybd)	Document feeder and scanner whole units (M681 and M682 only) on page 1657
5851-6021	Keyboard overlay kit (FR-SW, DE-SW, DA: UK Kybd)	Document feeder and scanner whole units (M681 and M682 only) on page 1657
5851-6022	Keyboard overlay kit (ZHTW, ZHCN)	Document feeder and scanner whole units (M681 and M682 only) on page 1657
5851-6023	Keyboard overlay kit (ES, PT)	Document feeder and scanner whole units (M681 and M682 only) on page 1657
5851-6024	Keyboard overlay kit (JA-KG, JA-KT)	Document feeder and scanner whole units (M681 and M682 only) on page 1657
5851-7202	LaserJet ADF roller kit	Document feeder and scanner whole units (M681 and M682 only) on page 1657
5851-7202	LaserJet ADF white backing, A4, kit	Document feeder and scanner whole units (M681 and M682 only) on page 1657
5851-7203	Document feeder (non-Flow models) kit; includes white backing and retention clips	Document feeder and scanner whole units (M681 and M682 only) on page 1657
5851-7204	Document feeder (Flow models) kit; includes white backing and retention clips	Document feeder and scanner whole units (M681 and M682 only) on page 1657
5851-7205	ADF hinge kit	Document feeder and scanner whole units (M681 and M682 only) on page 1657
5851-7207	White backing retention clip kit	Document feeder and scanner whole units (M681 and M682 only) on page 1657
B5L46-40021	Cover, HIP	Document feeder and scanner whole units (M681 and M682 only) on page 1657
B5L47-67018	Control panel kit, M681 and M682	Document feeder and scanner whole units (M681 and M682 only) on page 1657
B5L47-67019	Keyboard US (Flow models)	Document feeder and scanner whole units (M681 and M682 only) on page 1657

Table 2-21 Numerical parts list (continued)

Part number	Description	Table and page
B5L47-67020	Keyboard UK (Flow models)	Document feeder and scanner whole units (M681 and M682 only) on page 1657
CN	Motor, stepping	Internal components (5 of 6) on page 1671
CN	Motor, stepping	Internal components (5 of 6) on page 1671
CN	Main drive assembly	Internal components (5 of 6) on page 1671
CN	Fuser drive assembly	Internal components (5 of 6) on page 1671
CN	Fuser motor drive assembly	Internal components (5 of 6) on page 1671
CN	Drum motor assembly	Internal components (5 of 6) on page 1671
CN	Auto close assembly	Internal components (5 of 6) on page 1671
CN	Lifter drive assembly	Internal components (5 of 6) on page 1671
J7Z98-60001	Formatter kit (M652/M653)	Internal components (6 of 6) on page 1673
J7Z98-67902	Paper pick-up roller assembly (550-sheet feeder; part of LaserJet Trays 2-5 Roller Kit)	550-sheet paper feeder main body on page 1677
J7Z98-67902	Separation roller assembly (550-sheet feeder; part of LaserJet Trays 2-5 Roller Kit)	550-sheet paper feeder main body on page 1677
J7Z98-67902	Paper pickup roller assembly (1x550-sheet feeder; part of LaserJet Tray 2-5 Roller Kit)	1x550-sheet paper feeder main body on page 1681
J7Z98-67902	Separation roller assembly (1x550-sheet feeder; part of LaserJet Tray 2-5 Roller Kit)	1x550-sheet paper feeder main body on page 1681
J7Z98-67902	Paper pickup roller assembly (HCI; part of LaserJet Tray 2-5 Roller Kit)	3x550-sheet paper feeder main body on page 1685
J7Z98-67902	Separation roller assembly (HCI; part of LaserJet Tray 2-5 Roller Kit)	3x550-sheet paper feeder main body on page 1685
J7Z98-67902	Paper pickup roller assembly (HCI; part of LaserJet Tray 2-5 Roller Kit)	HCI main body on page 1689
J7Z98-67902	Separation roller assembly (HCI; part of LaserJet Tray 2-5 Roller Kit)	HCI main body on page 1689
J7Z98-67904	Formatter kit (M652/M653; India/China)	Internal components (6 of 6) on page 1673
J8A08-60103	Scan control board (Flow models)	Document feeder and scanner whole units (M681 and M682 only) on page 1657
J8A10-60001	Formatter kit (M681/M682)	Internal components (6 of 6) on page 1673

Table 2-21 Numerical parts list (continued)

Part number	Description	Table and page
J8A10-60110	Cable, SCB-formatter power	Document feeder and scanner whole units (M681 and M682 only) on page 1657
J8A10-60110	Cable, SCB-formatter HDMI	Document feeder and scanner whole units (M681 and M682 only) on page 1657
J8A10-60111	Cable, WU USB control panel	Document feeder and scanner whole units (M681 and M682 only) on page 1657
J8A10-60112	Cable, sideband control panel	Document feeder and scanner whole units (M681 and M682 only) on page 1657
J8A10-60113	Cable, HDMI	Document feeder and scanner whole units (M681 and M682 only) on page 1657
J8A10-60114	Cable, HIP control panel	Document feeder and scanner whole units (M681 and M682 only) on page 1657
J8A10-67901	Image scanner kit; includes white backing and retention clips, keyboard cover, and rear cover	Document feeder and scanner whole units (M681 and M682 only) on page 1657
J8A10-67902	Formatter kit (M681/M682; India/China)	Internal components (6 of 6) on page 1673
J8J63-60109	Scan control board (non-Flow models)	Document feeder and scanner whole units (M681 and M682 only) on page 1657
J8J63-60137	Cover, control panel	Document feeder and scanner whole units (M681 and M682 only) on page 1657
P1B93-67901	Image Transfer Belt (ITB) (part of LaserJet Image Transfer and Roller Kit)	Internal components (3 of 6) on page 1667
P1B93-67901	Secondary transfer roller assembly (part of LaserJet Image Transfer and Roller Kit)	Internal components (4 of 6) on page 1669
RC4-0213-000CN	Cover, HIP	Covers (M652 and M653) on page 1659
RC4-1778-000CN	Link, door, right (550-sheet feeder)	550-sheet paper feeder covers on page 1675
RC4-1778-000CN	Link, door (1x550-sheet feeder)	1x550-sheet paper feeder covers on page 1679
RC4-6425-000CN	Cover, right rear	Covers (M652 and M653) on page 1659
RC4-6425-000CN	Cover, right rear	Covers (M681 and M682) on page 1661
RC4-6429-000CN	Cover, top	Covers (M652 and M653) on page 1659

Table 2-21 Numerical parts list (continued)

Part number	Description	Table and page
RC4-6497-000CN	Holder, drawer connector	Internal components (6 of 6) on page 1673
RC4-6497-000CN	Holder, drawer connector (550-sheet feeder)	550-sheet paper feeder main body on page 1677
RC4-6858-000CN	Cover, left rear	Covers (M652 and M653) on page 1659
RC4-6858-000CN	Cover, left rear	Covers (M681 and M682) on page 1661
RC4-6859-000CN	Cover, output bin	Covers (M681 and M682) on page 1661
RC4-6860-000CN	Cover, front	Covers (M681 and M682) on page 1661
RC4-6861-000CN	Cover, main	Covers (M681 and M682) on page 1661
RC4-6862-000CN	Cover, rear	Covers (M681 and M682) on page 1661
RC4-6865-000CN	Cover, top	Covers (M681 and M682) on page 1661
RC4-7318-000CN	Cover, Tray 1 roller	Covers (M652 and M653) on page 1659
RC4-7318-000CN	Cover, Tray 1 roller	Covers (M681 and M682) on page 1661
RC4-7405-000CN	Cover, staple (stapler/stacker)	Stapler/stacker covers on page 1691
RC4-7406-000CN	Cover, rear front (stapler/stacker)	Stapler/stacker covers on page 1691
RC4-7407-000CN	Cover, rear inner (stapler/stacker)	Stapler/stacker covers on page 1691
RC4-7408-000CN	Cover, rear corner (stapler/stacker)	Stapler/stacker covers on page 1691
RC4-7409-000CN	Cover, right upper (stapler/stacker)	Stapler/stacker covers on page 1691
RC4-7411-000CN	Cover, jogger (stapler/stacker)	Stapler/stacker covers on page 1691
RC4-7412-000CN	Cover, staple rear (stapler/stacker)	Stapler/stacker covers on page 1691
RC4-7680-000CN	Holder, drawer, upper (550-sheet feeder)	550-sheet paper feeder main body on page 1677
RC4-7682-000CN	Cover, left (550-sheet feeder)	550-sheet paper feeder covers on page 1675
RC4-7683-000CN	Cover, rear (550-sheet feeder)	550-sheet paper feeder covers on page 1675

Table 2-21 Numerical parts list (continued)

Part number	Description	Table and page
RC4-7684-000CN	Cover, right lower (550-sheet feeder)	550-sheet paper feeder covers on page 1675
RC4-8239-000CN	Cover, control panel back	Covers (M652 and M653) on page 1659
RC4-8914-000CN	Holder, drawer connector (1x550-sheet feeder)	1x550-sheet paper feeder main body on page 1681
RC4-8914-000CN	Holder, drawer connector (3x550-sheet feeder)	3x550-sheet paper feeder main body on page 1685
RC4-8914-000CN	Holder, drawer connector (HCI)	HCI main body on page 1689
RC4-9410-000CN	Handle, rear	Internal components (6 of 6) on page 1673
RC4-9423-000	Cover, USB	Document feeder and scanner whole units (M681 and M682 only) on page 1657
RC4-9423-000CN	Cover, USB	Covers (M652 and M653) on page 1659
RC4-9439-000CN	Cover, right lower (stapler/stacker)	Stapler/stacker covers on page 1691
RC4-9575-000CN	Door, staple (stapler/stacker)	Stapler/stacker covers on page 1691
RC4-9576-000CN	Arm, staple door lock (stapler/stacker)	Stapler/stacker covers on page 1691
RC4-9586-000CN	Cover, right front (stapler/stacker)	Stapler/stacker covers on page 1691
RC4-9824-000CN	Link, door (1x550-sheet feeder)	1x550-sheet paper feeder covers on page 1679
RC4-9824-000CN	Link, door (3x550-sheet feeder)	3x550-sheet paper feeder covers on page 1683
RC4-9824-000CN	Link, door (HCI)	HCI covers on page 1687
RC5-0353-000CN	Pin, tray fixed (stapler/stacker)	Stapler/stacker main body on page 1693
RC5-0383-000CN	Cover, front lower (1x550-sheet feeder)	1x550-sheet paper feeder covers on page 1679
RC5-0383-000CN	Cover, front lower	3x550-sheet paper feeder covers on page 1683
RC5-0384-000CN	Cover, right lower (1x550-sheet feeder)	1x550-sheet paper feeder covers on page 1679
RC5-0384-000CN	Cover, right lower (3x550-sheet feeder)	3x550-sheet paper feeder covers on page 1683
RC5-0384-000CN	Cover, right lower (HCI)	HCI covers on page 1687
RC5-0385-000CN	Cover, left lower (1x550-sheet feeder)	1x550-sheet paper feeder covers on page 1679

Table 2-21 Numerical parts list (continued)

Part number	Description	Table and page
RC5-0385-000CN	Cover, left lower (3x550-sheet feeder)	3x550-sheet paper feeder covers on page 1683
RC5-0385-000CN	Cover, left lower (HCI)	HCI covers on page 1687
RC5-0386-000CN	Cover, rear (1x550-sheet feeder)	1x550-sheet paper feeder covers on page 1679
RC5-0386-000CN	Cover, rear (3x550-sheet feeder)	3x550-sheet paper feeder covers on page 1683
RC5-0386-000CN	Cover, rear (HCI)	HCI covers on page 1687
RC5-0387-000CN	Cover, left (1x550-sheet feeder)	1x550-sheet paper feeder covers on page 1679
RC5-0387-000CN	Cover, left (3x550-sheet feeder)	3x550-sheet paper feeder covers on page 1683
RC5-0387-000CN	Cover, left (HCI)	HCI covers on page 1687
RC5-0399-000CN	Cover, rear lower (1x550-sheet feeder)	1x550-sheet paper feeder covers on page 1679
RC5-0399-000CN	Cover, rear lower	3x550-sheet paper feeder covers on page 1683
RC5-0399-000CN	Cover, rear lower (HCI)	HCI covers on page 1687
RC5-0405-000CN	Door, stock (1x550-sheet feeder)	1x550-sheet paper feeder covers on page 1679
RC5-0417-000CN	Cover, caster, right	3x550-sheet paper feeder covers on page 1683
RC5-0418-000CN	Cover, caster, left	3x550-sheet paper feeder covers on page 1683
RC5-1842-000CN	Cover, output bin, front	Covers (M681 and M682) on page 1661
RC5-1843-000CN	Cover, right	Covers (M681 and M682) on page 1661
RC5-1892-000CN	Guide, NIP	Covers (M652 and M653) on page 1659
RC5-1892-000CN	Guide, NIP	Covers (M681 and M682) on page 1661
RC5-3356-000CN	Cover, blanking	Covers (M652 and M653) on page 1659
RK2-6124-000CN	Fan	Internal components (3 of 6) on page 1667
RK2-6124-000CN	Fan	Internal components (4 of 6) on page 1669
RK2-7768-000CN	Cable, flexible flat	Internal components (6 of 6) on page 1673
RK2-7776-000CN	Cable, flexible flat	Internal components (6 of 6) on page 1673

Table 2-21 Numerical parts list (continued)

Part number	Description	Table and page
RK2-7831-000CN	Motor, stepping (1x550-sheet feeder)	1x550-sheet paper feeder main body on page 1681
RK2-7831-000CN	Motor, stepping (3x550-sheet feeder)	3x550-sheet paper feeder main body on page 1685
RK2-7831-000CN	Motor, stepping (HCI)	HCI main body on page 1689
RK2-7949-000CN	Fan	Internal components (3 of 6) on page 1667
RK2-7951-000CN	Fan	Internal components (3 of 6) on page 1667
RK2-7953-000CN	Fan	Internal components (6 of 6) on page 1673
RK2-8149-000CN	Motor, stepping, DC (stapler/stacker)	Stapler/stacker main body on page 1693
RK2-8153-000CN	Fan (stapler/stacker)	Stapler/stacker main body on page 1693
RL2-0034-000CN	Roller, pickup, Tray 1	Covers (M652 and M653) on page 1659
RL2-0034-000CN	Roller, pickup, Tray 1	Covers (M681 and M682) on page 1661
RL2-0079-000CN	Roller, separation, Tray 1	Covers (M652 and M653) on page 1659
RL2-0079-000CN	Roller, separation, Tray 1	Covers (M681 and M682) on page 1661
RL2-1500-000CN	Door, left	Covers (M652 and M653) on page 1659
RL2-1500-000CN	Door, left	Covers (M681 and M682) on page 1661
RM2-0064-000CN	Separation roller assembly	Internal components (4 of 6) on page 1669
RM2-0856-000CN	Auto close assembly (1x550-sheet feeder)	1x550-sheet paper feeder main body on page 1681
RM2-0856-000CN	Auto close assembly (3x550-sheet feeder)	3x550-sheet paper feeder main body on page 1685
RM2-0856-000CN	Auto close assembly (HCI)	HCI main body on page 1689
RM2-0857-000CN	Size sensor assembly (1x550-sheet feeder)	1x550-sheet paper feeder main body on page 1681
RM2-0857-000CN	Size sensor assembly (3x550-sheet feeder)	3x550-sheet paper feeder main body on page 1685
RM2-0857-000CN	Size sensor assembly (HCI)	HCI main body on page 1689
RM2-0915-000CN	Tray lifter motor drive assembly (HCI)	HCI main body on page 1689
RM2-0918-000CN	Tray auto close assembly (HCI)	HCI main body on page 1689
RM2-0921-000CN	Size sensor assembly (HCI)	HCI main body on page 1689

Table 2-21 Numerical parts list (continued)

Part number	Description	Table and page
RM2-1040-000CN	Solenoid assembly (stapler/stacker)	Stapler/stacker main body on page 1693
RM2-1057-000CN	Stacking wall assembly (stapler/stacker)	Stapler/stacker covers on page 1691
RM2-1066-000CN	Jog assembly (stapler/stacker)	Stapler/stacker main body on page 1693
RM2-1193-000CN	Stapler assembly (stapler/stacker)	Stapler/stacker main body on page 1693
RM2-1196-000CN	Tray assembly (stapler/stacker)	Stapler/stacker main body on page 1693
RM2-1218-000CN	Right door assembly (HCI)	HCI covers on page 1687
RM2-1219-000CN	Cassette assembly (tray; 1x550-sheet feeder)	1x550-sheet paper feeder main body on page 1681
RM2-1219-000CN	Cassette assembly (upper tray; 3x550-sheet feeder)	3x550-sheet paper feeder main body on page 1685
RM2-1219-000CN	Cassette assembly (tray; HCI)	HCI main body on page 1689
RM2-1220-000CN	Tray assembly (HCI)	HCI main body on page 1689
RM2-1222-000CN	Drive assembly (1x550-sheet feeder)	1x550-sheet paper feeder main body on page 1681
RM2-1222-000CN	Drive assembly (3x550-sheet feeder)	3x550-sheet paper feeder main body on page 1685
RM2-1222-000CN	Drive assembly (HCI)	HCI main body on page 1689
RM2-1223-000CN	Estrangement holder assembly (1x550-sheet feeder)	1x550-sheet paper feeder main body on page 1681
RM2-1223-000CN	Estrangement holder assembly (3x550-sheet feeder)	3x550-sheet paper feeder main body on page 1685
RM2-1223-000CN	Estrangement holder assembly (HCI)	HCI main body on page 1689
RM2-1226-000CN	Right door assembly (1x550-sheet feeder)	1x550-sheet paper feeder covers on page 1679
RM2-1230-000CN	Right door assembly (3x550-sheet feeder)	3x550-sheet paper feeder covers on page 1683
RM2-1231-000CN	Cassette assembly (middle/lower tray; 3x550-sheet feeder)	3x550-sheet paper feeder main body on page 1685
RM2-1235-000CN	Paper pick-up assembly (1x550-sheet feeder)	1x550-sheet paper feeder main body on page 1681
RM2-1235-000CN	Paper pick-up assembly (3x550-sheet feeder)	3x550-sheet paper feeder main body on page 1685
RM2-1235-000CN	Paper pick-up assembly (HCI)	HCI main body on page 1689
RM2-1237-000CN	Laser scanner assembly	Internal components (3 of 6) on page 1667
RM2-1928-000CN	Fuser assembly, 110-127V	Internal components (4 of 6) on page 1669

Table 2-21 Numerical parts list (continued)

Part number	Description	Table and page
RM2-1929-000CN	Fuser assembly, 220-240V	Internal components (4 of 6) on page 1669
RM2-1947-000CN	Power supply switch assembly	Internal components (2 of 6) on page 1665
RM2-1951-000CN	Rear cover assembly	Covers (M652 and M653) on page 1659
RM2-1951-000CN	Rear cover assembly	Covers (M681 and M682) on page 1661
RM2-1953-000CN	Output bin assembly	Covers (M652 and M653) on page 1659
RM2-1953-000CN	Output bin assembly	Covers (M681 and M682) on page 1661
RM2-1957-000CN	Registration assembly	Internal components (4 of 6) on page 1669
RM2-1958-000CN	Left handle assembly	Covers (M652 and M653) on page 1659
RM2-1958-000CN	Left handle assembly	Covers (M681 and M682) on page 1661
RM2-2091-000CN	Lifter drive assembly (1x550-sheet feeder)	1x550-sheet paper feeder main body on page 1681
RM2-2091-000CN	Lifter drive assembly (3x550-sheet feeder)	3x550-sheet paper feeder main body on page 1685
RM2-2091-000CN	Lifter drive assembly (HCI)	HCI main body on page 1689
RM2-5145-000CN	Paper feed assembly (550-sheet feeder)	550-sheet paper feeder main body on page 1677
RM2-5147-000CN	Auto close assembly (550-sheet feeder)	550-sheet paper feeder main body on page 1677
RM2-5154-000CN	Paper pick-up assembly (550-sheet feeder)	550-sheet paper feeder main body on page 1677
RM2-6545-000CN	Microswitch	Internal components (2 of 6) on page 1665
RM2-6556-000CN	Paper pick-up assembly	Internal components (4 of 6) on page 1669
RM2-6613-000CN	Toner collection unit	Internal components (3 of 6) on page 1667
RM2-6618-000CN	Cassette assembly (Tray 2)	Internal components (4 of 6) on page 1669
RM2-6620-000CN	Toner carry assembly	Internal components (1 of 6) on page 1663
RM2-6621-000CN	Paper delivery assembly	Internal components (4 of 6) on page 1669
RM2-6622-000CN	Right door assembly	Covers (M652 and M653) on page 1659

Table 2-21 Numerical parts list (continued)

Part number	Description	Table and page
RM2-6622-000CN	Right door assembly	Covers (M681 and M682) on page 1661
RM2-6657-000CN	Formatter cover assembly	Covers (M652 and M653) on page 1659
RM2-6657-000CN	Formatter cover assembly	Covers (M681 and M682) on page 1661
RM2-6658-000CN	Front door assembly	Covers (M652 and M653) on page 1659
RM2-6658-000CN	Front door assembly	Covers (M681 and M682) on page 1661
RM2-6659-000CN	Right handle assembly	Covers (M652 and M653) on page 1659
RM2-6659-000CN	Right handle assembly	Covers (M681 and M682) on page 1661
RM2-6681-000CN	Paper pick-up roller assembly	Internal components (4 of 6) on page 1669
RM2-6682-000CN	Secondary transfer assembly	Internal components (4 of 6) on page 1669
RM2-6684-000CN	Feed roller assembly	Internal components (4 of 6) on page 1669
RM2-6796-000CN	Control panel assembly	Covers (M652 and M653) on page 1659
RM2-6807-000CN	Right door assembly (stapler/stacker)	Stapler/stacker covers on page 1691
RM2-6810-000CN	Upper paper feed assembly (stapler/stacker)	Stapler/stacker main body on page 1693
RM2-6813-000CN	Lower paper feed assembly (stapler/stacker)	Stapler/stacker main body on page 1693
RM2-6933-000CN	Lifter drive assembly (550-sheet feeder)	550-sheet paper feeder main body on page 1677
RM2-6934-000CN	Drive assembly (550-sheet feeder)	550-sheet paper feeder main body on page 1677
RM2-6935-000CN	Cassette assembly (550-sheet feeder)	550-sheet paper feeder main body on page 1677
RM2-6937-000CN	Door assembly, right (550-sheet feeder)	550-sheet paper feeder covers on page 1675
RM2-7138-000CN	Memory PCA	Internal components (6 of 6) on page 1673
RM2-7157-000CN	Estrangement detect PCA assembly	Internal components (3 of 6) on page 1667
RM2-7160-000CN	Density detect assembly	Internal components (4 of 6) on page 1669

Table 2-21 Numerical parts list (continued)

Part number	Description	Table and page
RM2-8421-000CN	Power supply PCA, 110-127V	Internal components (6 of 6) on page 1673
RM2-8422-000CN	Power supply PCA, 220-240V	Internal components (6 of 6) on page 1673
RM2-8424-000CN	Upper high voltage power supply PCA	Internal components (6 of 6) on page 1673
RM2-8440-000CN	Environmental sensor PCA assembly	Internal components (3 of 6) on page 1667
RM2-8481-000CN	Paper deck cont. PCA (HCI)	HCI main body on page 1689
RM2-8482-000CN	Paper deck cont. PCA	1x550-sheet paper feeder main body on page 1681
RM2-8483-000CN	Paper deck cont. PCA (3x550-sheet feeder)	3x550-sheet paper feeder main body on page 1685
RM2-8491-000CN	Feeder controller PCA (550-sheet feeder)	550-sheet paper feeder main body on page 1677
RM2-8689-000CN	Staple stacker PCA (stapler/stacker)	Stapler/stacker main body on page 1693
RM2-8880-000CN	Option upper cable assembly (550-sheet feeder)	550-sheet paper feeder main body on page 1677
RM2-8881-000CN	Option lower cable assembly (550-sheet feeder)	550-sheet paper feeder main body on page 1677
RM2-9286-000CN	Drawer upper cable assembly (1x550-sheet feeder)	1x550-sheet paper feeder main body on page 1681
RM2-9286-000CN	Drawer upper cable assembly (3x550-sheet feeder)	3x550-sheet paper feeder main body on page 1685
RM2-9286-000CN	Drawer upper cable assembly (HCI)	HCI main body on page 1689
RM3-7006-000CN	Lower high voltage power supply PCA	Internal components (6 of 6) on page 1673
RM3-7030-000CN	DC controller PCA, M652-M653	Internal components (6 of 6) on page 1673
RM3-7031-000CN	DC controller PCA, M681-M682	Internal components (6 of 6) on page 1673
RM3-7046-000CN	Pre-exposure PCA assembly	Internal components (2 of 6) on page 1665
RM3-7047-000CN	Pre-exposure PCA assembly	Internal components (2 of 6) on page 1665
RU7-8831-000CN	Label, staple exchange OPE. (stapler/stacker)	Stapler/stacker covers on page 1691
VS1-7258-012CN	Connector	Internal components (6 of 6) on page 1673
WC2-5762-000CN	Switch, push (550-sheet feeder)	550-sheet paper feeder main body on page 1677

Table 2-21 Numerical parts list (continued)

Part number	Description	Table and page
WC2-5803-000CN	Switch, push (1x550-sheet feeder)	1x550-sheet paper feeder main body on page 1681
WC2-5803-000CN	Switch, push (HCI)	HCI main body on page 1689
WC2-5803-00CN	Switch, push (3x550-sheet feeder)	3x550-sheet paper feeder main body on page 1685
WC4-5171-000CN	Microswitch (stapler/stacker)	Stapler/stacker main body on page 1693